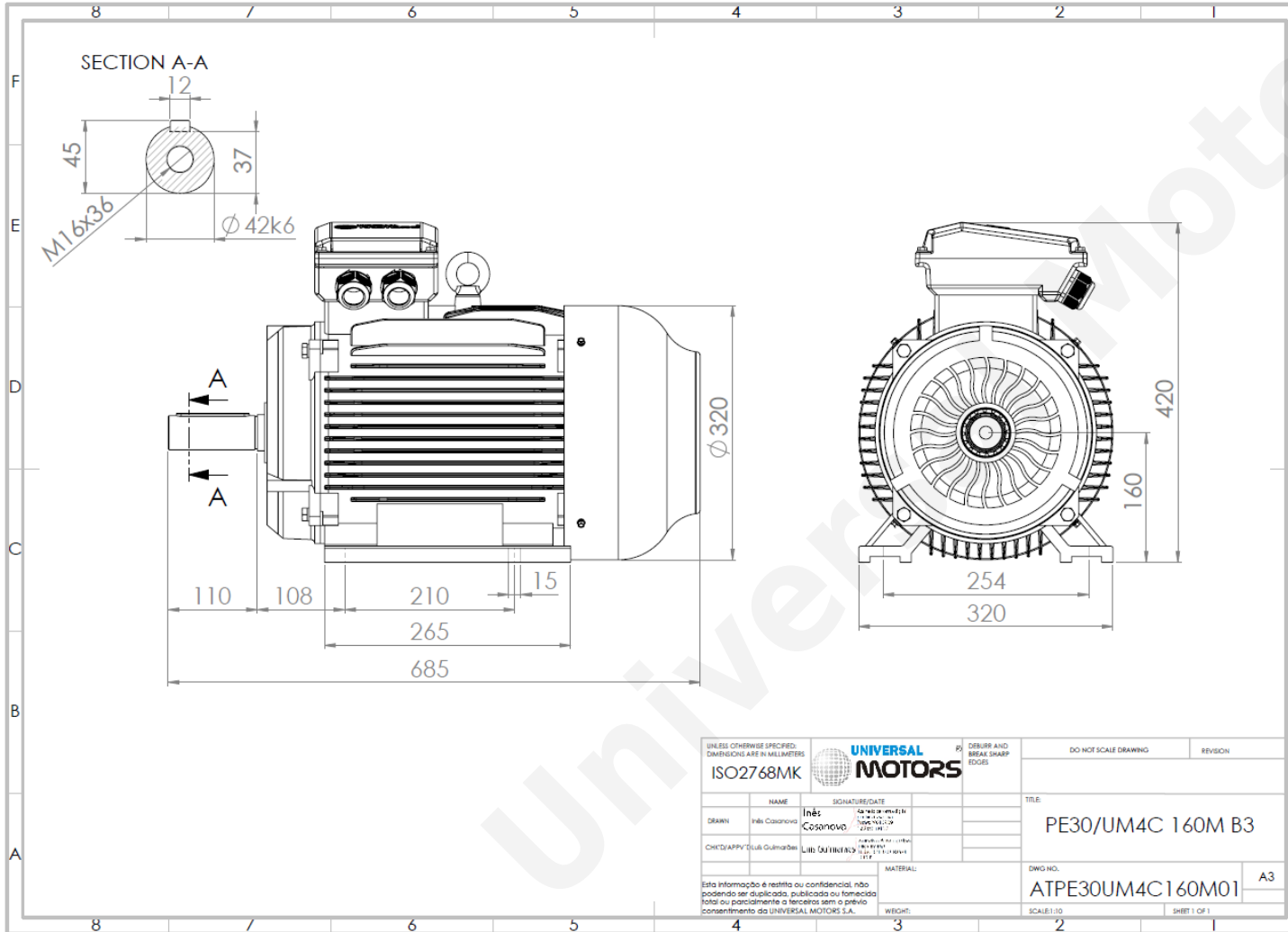


TECHNICAL DATA

Three Phase Electric Motors - Cast Iron Frame
 UM3C 160M-2 IE3
 11 kW / 15 Cv
 2950 RPM



Motor type:	UM3C 160M-2 IE3
Output:	11 kW / 15 Cv
Speed (min ⁻¹):	2950 RPM
Voltage:	400 V
Frequency:	50 Hz
Current:	19.6 A
Power factor (Cos Ø):	0.89
Poles:	2
Insulation class:	F
Temperature rise Class:	B
Efficiency 50%:	89.9 %
Efficiency 75%:	91.5 %
Efficiency 100%:	91.3 %
Torque:	36 N.m
Tstarting/Tnominal:	2.0
Istarting/Inominal:	8.1
Tmaximum/Tnominal:	2.3
Noise:	81 Db(A)
Weight:	126 Kg
Bearing DE:	6309 C3
Bearing NDE:	6309 C3

UNLESS OTHERWISE SPECIFIED: DIMENSIONS ARE IN MILLIMETERS		UNIVERSAL MOTORS		DEBURR AND BREAK SHARP EDGES	DO NOT SCALE DRAWING	REVISION
ISO2768MK						
NAME	SIGNATURE/DATE	TITLE				
DRW: Inês Casanova	Cosanova	PE30/UM4C 160M B3				
CHK'D: APY/CLB Guimarães	LIB: SUT/INA/LS	DWG NO:		A3		
MATERIAL:		ATPE30UM4C160M01				
Esta informação é restrita ou confidencial, não podendo ser duplicada, publicada ou fornecida total ou parcialmente a terceiros sem o prévio consentimento da UNIVERSAL MOTORS S.A.		WEIGHT:	SCALE: 1:10	SHEET 1 OF 1		

Regime - S1

Altitude - 1000m

Environment Temperature - 40°C

CONTACTS:

Universal Motors UK, Ltd
 Unit E2, Meltham Mills Industrial Estate, Meltham Mills Road, Meltham, Holmfirth
 West Yorkshire HD9 4AR, U.K

Tel: +44(0) 1484 660 222

Fax: +44(0) 1484 660 333

Mail: enquiries@universalmotors-group.co.uk

* References applied only in the UK