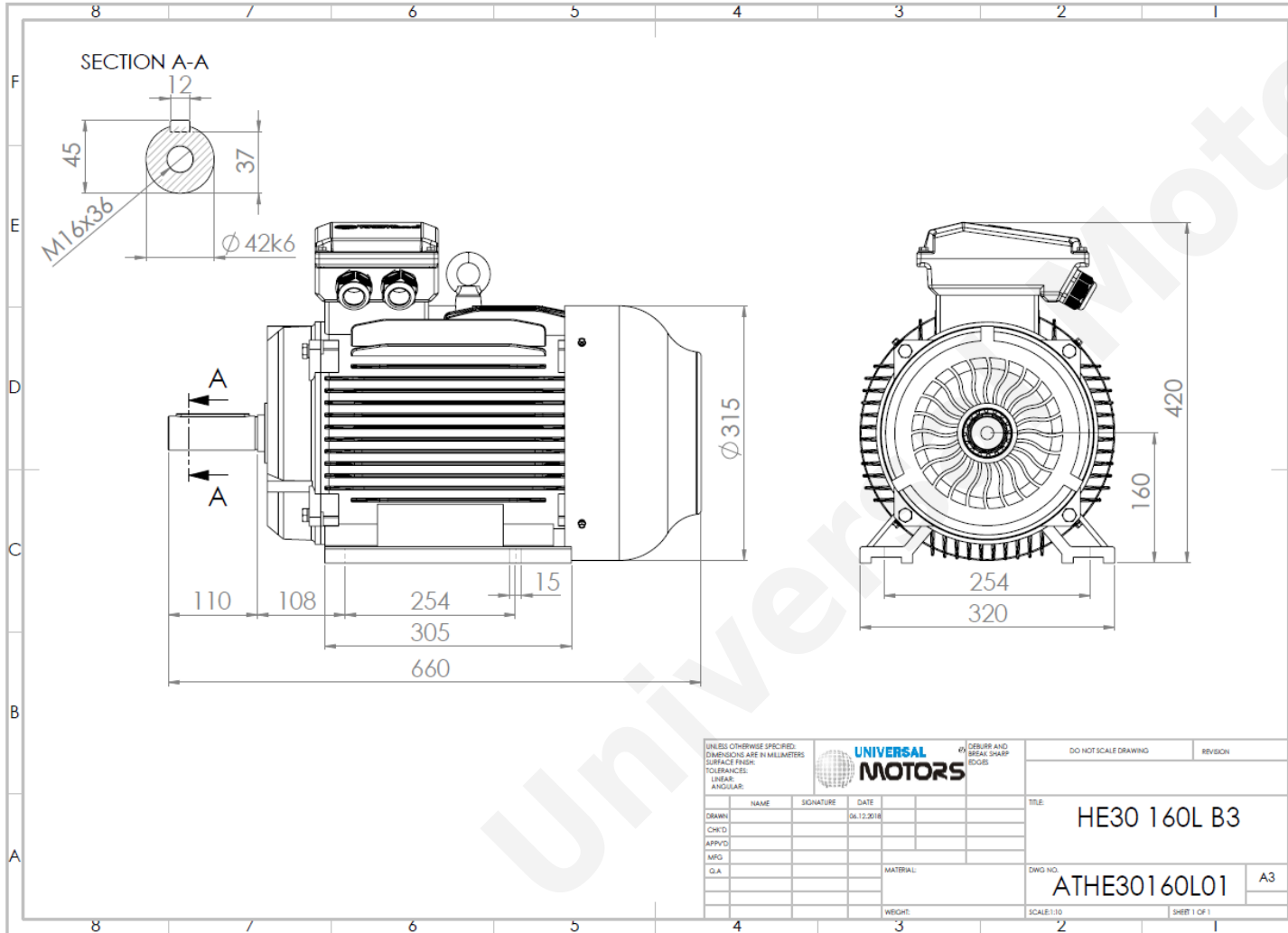


TECHNICAL DATA

Three Phase Electric Motors - Cast Iron Frame
UMHC 160L-2 IE2
18.5 kW / 25 Cv
2940 RPM



| | |
|-----------------------------|------------------------|
| Motor type: | UMHC 160L-2 IE2 |
| Output: | 18.5 kW / 25 Cv |
| Speed (min ⁻¹): | 2940 RPM |
| Voltage: | 400 V |
| Frequency: | 50 Hz |
| Current: | 33.0 A |
| Power factor (Cos ϕ): | 0.89 |
| Poles: | 2 |
| Insulation class: | F |
| Temperature rise Class: | B |
| Efficiency 50%: | 90.3 % |
| Efficiency 75%: | 91.6 % |
| Efficiency 100%: | 90.9 % |
| Torque: | 60 N.m |
| Tstarting/Tnominal: | 2.2 |
| Istarting/Inominal: | 8.1 |
| Tmaximum/Tnominal: | 2.3 |
| Noise: | 81 Db(A) |
| Weight: | 150 Kg |
| Bearing DE: | 6309 C3 |
| Bearing NDE: | 6309 C3 |

Regime - S1

Altitude - 1000m

Environment Temperature - 40°C

CONTACTS:

Universal Motors UK, Ltd
Unit E2, Meltham Mills Industrial Estate, Meltham Mills Road, Meltham, Holmfirth
West Yorkshire HD9 4AR, U.K

Tel: +44(0) 1484 660 222
Fax: +44(0) 1484 660 333
Mail: enquiries@universalmotors-group.co.uk

* References applied only in the UK