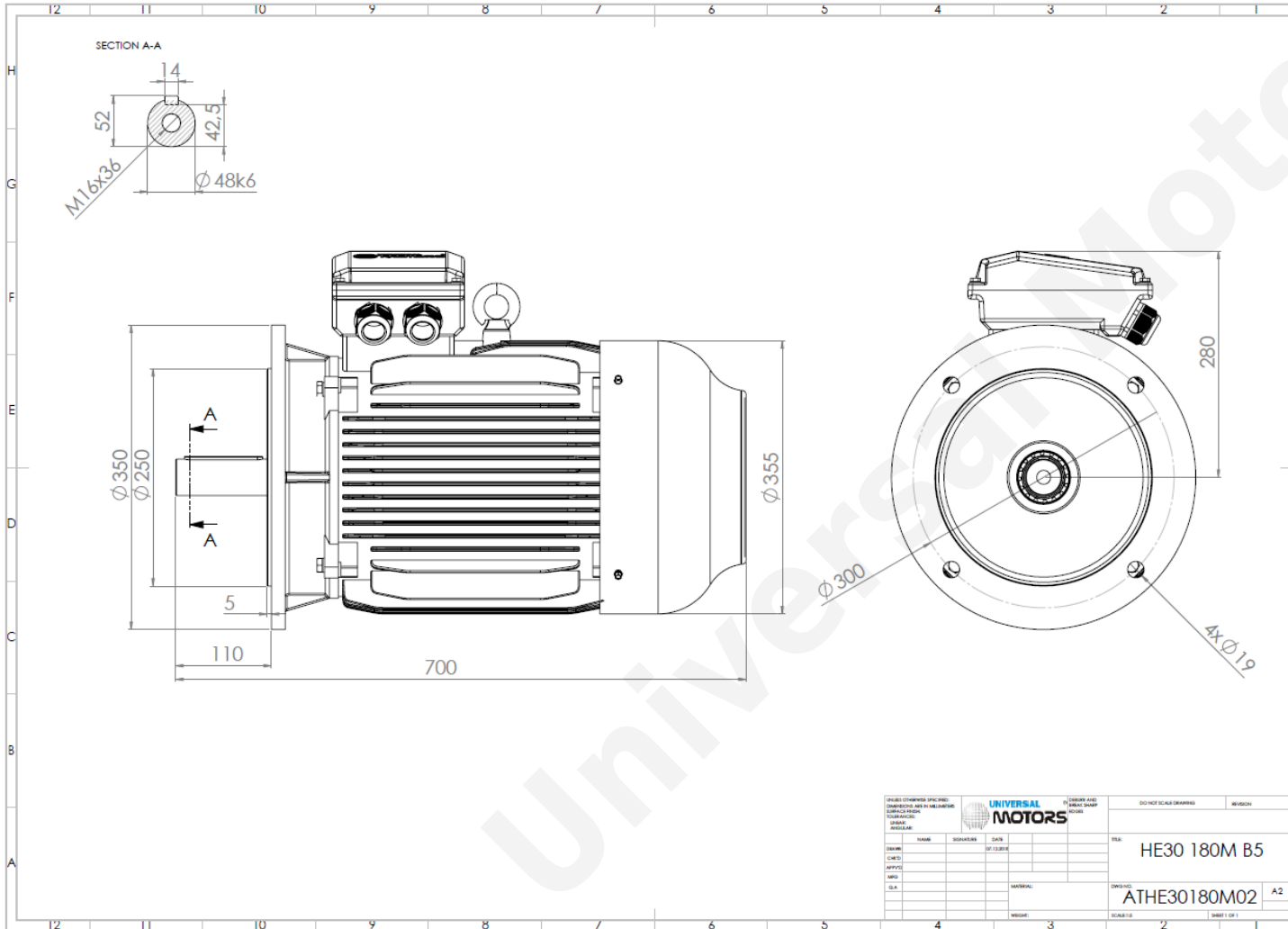


# TECHNICAL DATA

Three Phase Electric Motors - Cast Iron Frame  
 UMHC 180M-2 IE2  
 22 kW / 30 Cv  
 2950 RPM



Motor type:	<b>UMHC 180M-2 IE2</b>
Output:	<b>22 kW / 30 Cv</b>
Speed ( $\text{min}^{-1}$ ):	<b>2950 RPM</b>
Voltage:	<b>400 V</b>
Frequency:	<b>50 Hz</b>
Current:	<b>39.1 A</b>
Power factor ( $\text{Cos } \phi$ ):	<b>0.89</b>
Poles:	<b>2</b>
Insulation class:	<b>F</b>
Temperature rise Class:	<b>B</b>
Efficiency 50%:	<b>91.1 %</b>
Efficiency 75%:	<b>91.8 %</b>
Efficiency 100%:	<b>91.3 %</b>
Torque:	<b>71 N.m</b>
Tstarting/Tnominal:	<b>2.2</b>
Istarting/Inominal:	<b>8.2</b>
Tmaximum/Tnominal:	<b>2.3</b>
Noise:	<b>83 Db(A)</b>
Weight:	<b>199 Kg</b>
Bearing DE:	<b>6311 C3</b>
Bearing NDE:	<b>6311 C3</b>

UNIVERSAL MOTORS		DESIGN AND DRAWING	
UNIVERSAL MOTORS		UNIVERSAL MOTORS	
NAME	DESIGNER	DATE	SCALE
HE30 180M B5			
CHECKED			
APPROVED			
MATERIAL			
ATHE30180M02			
WEIGHT			

Regime - S1

Altitude - 1000m

Environment Temperature - 40°C

### CONTACTS:

Universal Motors UK, Ltd  
 Unit E2, Meltham Mills Industrial Estate, Meltham Mills Road, Meltham, Holmfirth  
 West Yorkshire HD9 4AR, U.K

Tel: +44(0) 1484 660 222

Fax: +44(0) 1484 660 333

Mail: [enquiries@universalmotors-group.co.uk](mailto:enquiries@universalmotors-group.co.uk)

\* References applied only in the UK