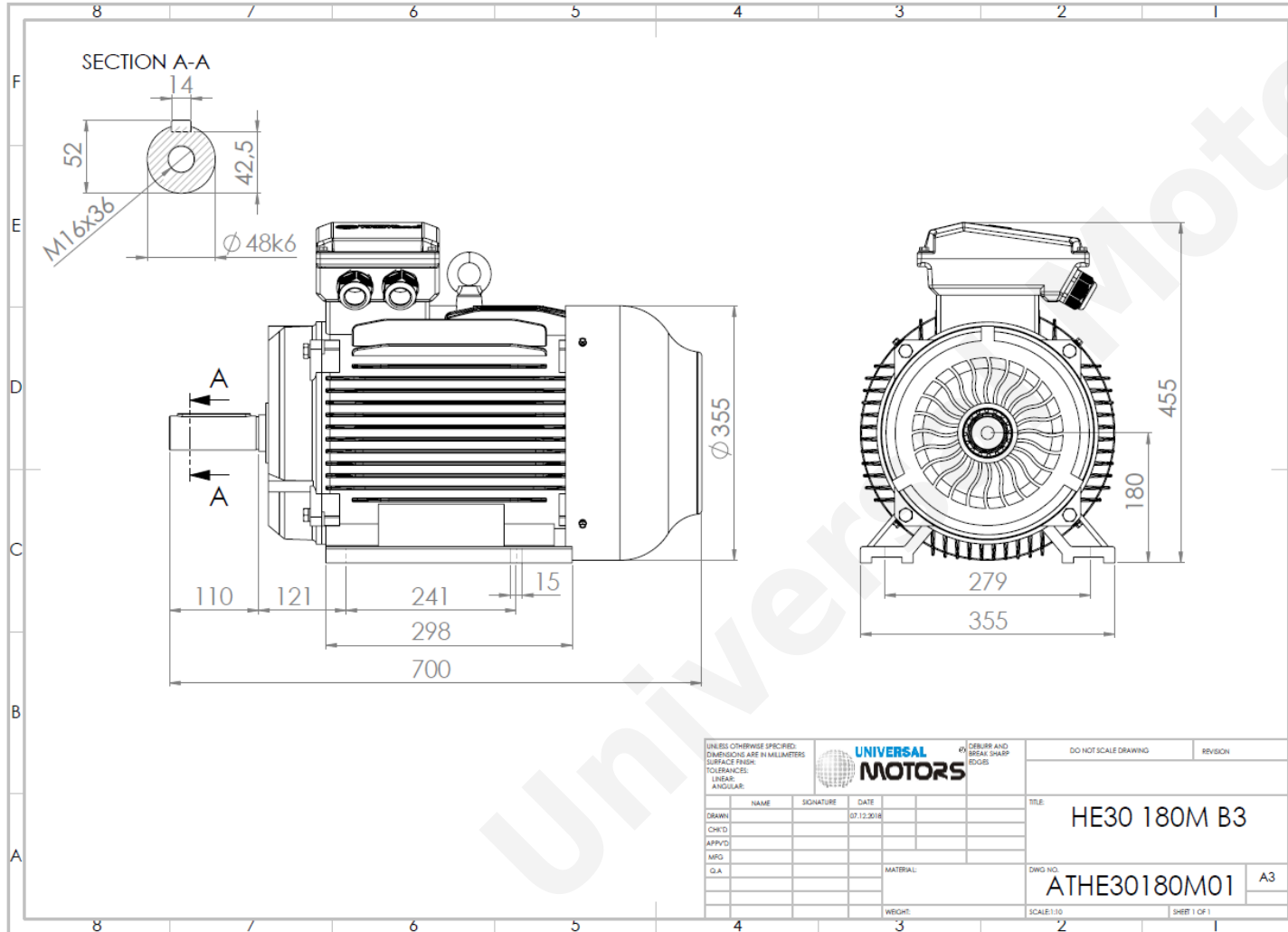


TECHNICAL DATA

Three Phase Electric Motors - Cast Iron Frame
UMHC 180M-2 IE2
22 kW / 30 Cv
2950 RPM



Motor type:	UMHC 180M-2 IE2
Output:	22 kW / 30 Cv
Speed (min ⁻¹):	2950 RPM
Voltage:	400 V
Frequency:	50 Hz
Current:	39.1 A
Power factor (Cos ϕ):	0.89
Poles:	2
Insulation class:	F
Temperature rise Class:	B
Efficiency 50%:	91.1 %
Efficiency 75%:	91.8 %
Efficiency 100%:	91.3 %
Torque:	71 N.m
T _{starting} /T _{nominal} :	2.2
I _{starting} /I _{nominal} :	8.2
T _{maximum} /T _{nominal} :	2.3
Noise:	83 Db(A)
Weight:	199 Kg
Bearing DE:	6311 C3
Bearing NDE:	6311 C3

Regime - S1

Altitude - 1000m

Environment Temperature - 40°C

CONTACTS:

Universal Motors UK, Ltd
Unit E2, Meltham Mills Industrial Estate, Meltham Mills Road, Meltham, Holmfirth
West Yorkshire HD9 4AR, U.K

Tel: +44(0) 1484 660 222
Fax: +44(0) 1484 660 333

Mail: enquiries@universalmotors-group.co.uk

* References applied only in the UK