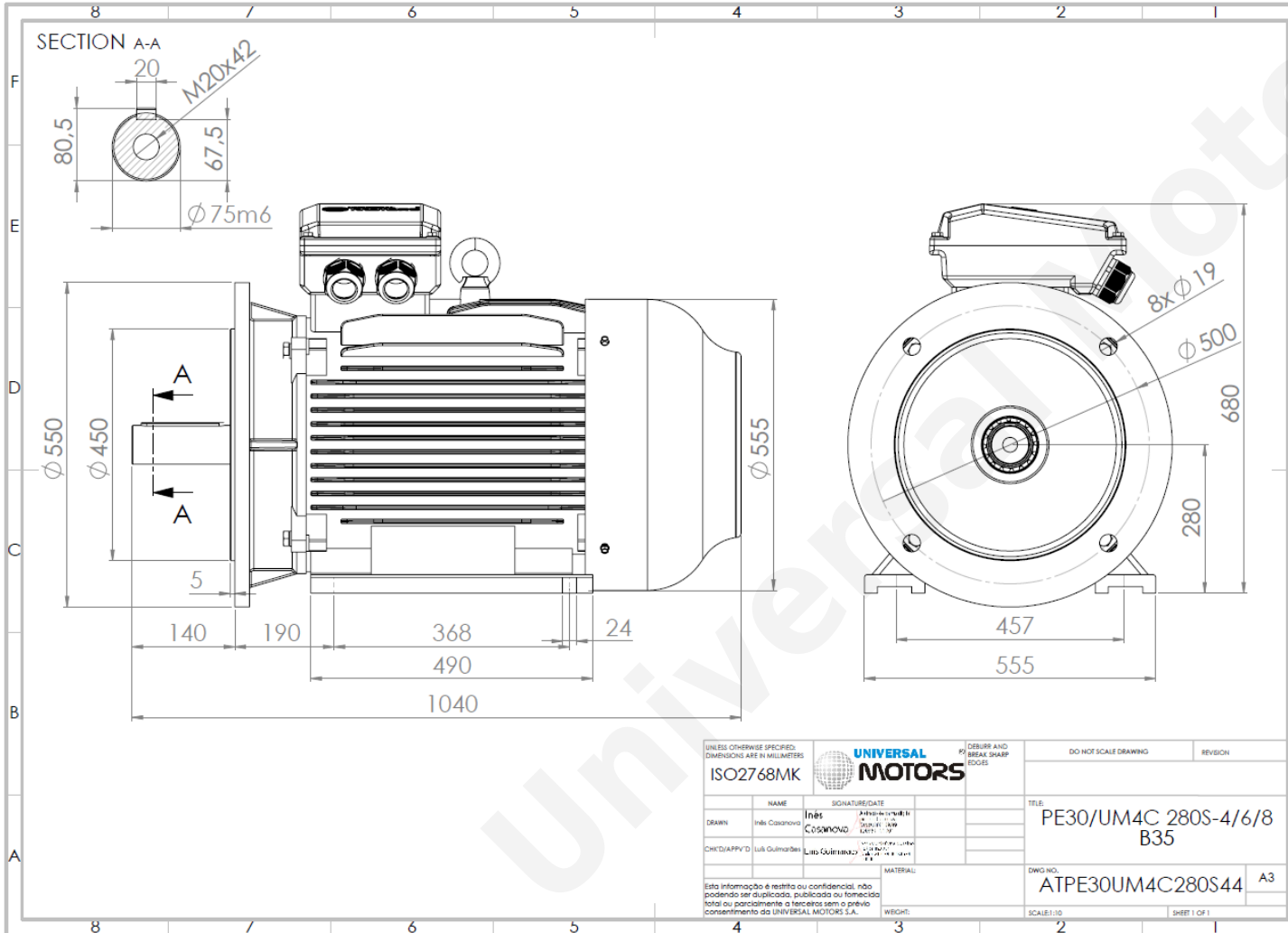


TECHNICAL DATA

Three Phase Electric Motors - Cast Iron Frame
UM3C 280S-4 IE3
75 kW / 100 Cv
1485 RPM



Motor type:	UM3C 280S-4 IE3
Output:	75 kW / 100 Cv
Speed (min ⁻¹):	1485 RPM
Voltage:	400 V
Frequency:	50 Hz
Current:	129 A
Power factor (Cos Ø):	0.88
Poles:	4
Insulation class:	F
Temperature rise Class:	B
Efficiency 50%:	94.2 %
Efficiency 75%:	95.1 %
Efficiency 100%:	95.0 %
Torque:	482 N.m
Tstarting/Tnominal:	2.0
Istarting/Inominal:	6.9
Tmaximum/Tnominal:	2.3
Noise:	80 Db(A)
Weight:	600 Kg
Bearing DE:	6317 C3
Bearing NDE:	6317 C3

Regime - S1

Altitude - 1000m

Environment Temperature - 40°C

CONTACTS:

Universal Motors UK, Ltd
Unit E2, Meltham Mills Industrial Estate, Meltham Mills Road, Meltham, Holmfirth
West Yorkshire HD9 4AR, U.K.

Tel: +44(0) 1484 660 222

Fax: +44(0) 1484 660 333

Mail: enquiries@universalmotors-group.co.uk

* References applied only in the UK