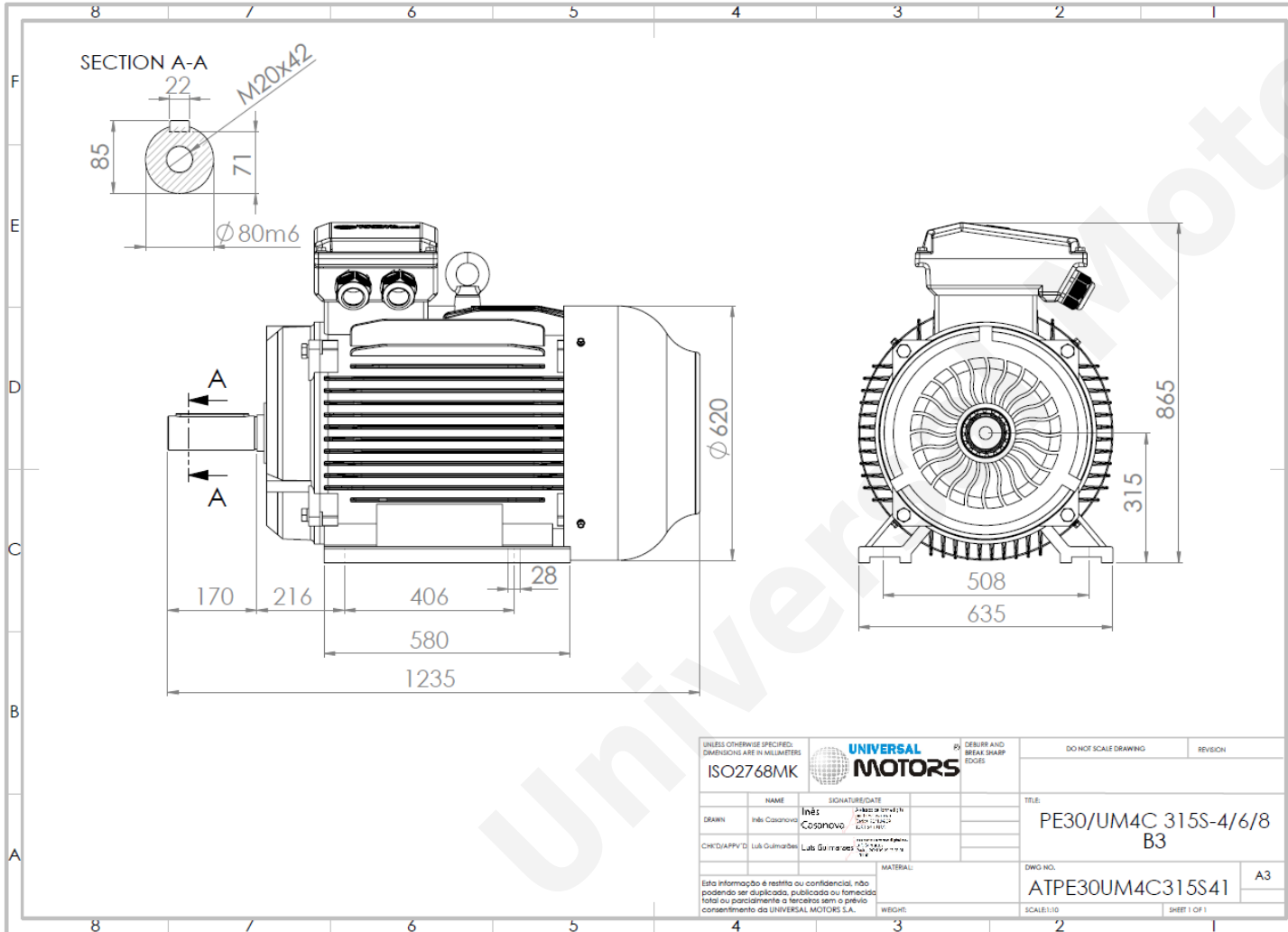


TECHNICAL DATA

Three Phase Electric Motors - Cast Iron Frame
UM3C 315S-4 IE3
110 kW / 150 Cv
1485 RPM



Motor type:	UM3C 315S-4 IE3
Output:	110 kW / 150 Cv
Speed (min ⁻¹):	1485 RPM
Voltage:	400 V
Frequency:	50 Hz
Current:	187 A
Power factor (Cos Ø):	0.89
Poles:	4
Insulation class:	F
Temperature rise Class:	B
Efficiency 50%:	94.7 %
Efficiency 75%:	95.4 %
Efficiency 100%:	95.5 %
Torque:	707 N.m
Tstarting/Tnominal:	2.0
Istarting/Inominal:	7.0
Tmaximum/Tnominal:	2.2
Noise:	88 Db(A)
Weight:	922 Kg
Bearing DE:	NU 319
Bearing NDE:	6319 C3

Regime - S1 **Altitude - 1000m** **Environment Temperature - 40°C**

CONTACTS:
 Universal Motors UK, Ltd
 Unit E2, Meltham Mills Industrial Estate, Meltham Mills Road, Meltham, Holmfirth
 West Yorkshire HD9 4AR, U.K
 Tel: +44(0) 1484 660 222
 Fax: +44(0) 1484 660 333
 Mail: enquiries@universalmotors-group.co.uk

* References applied only in the UK