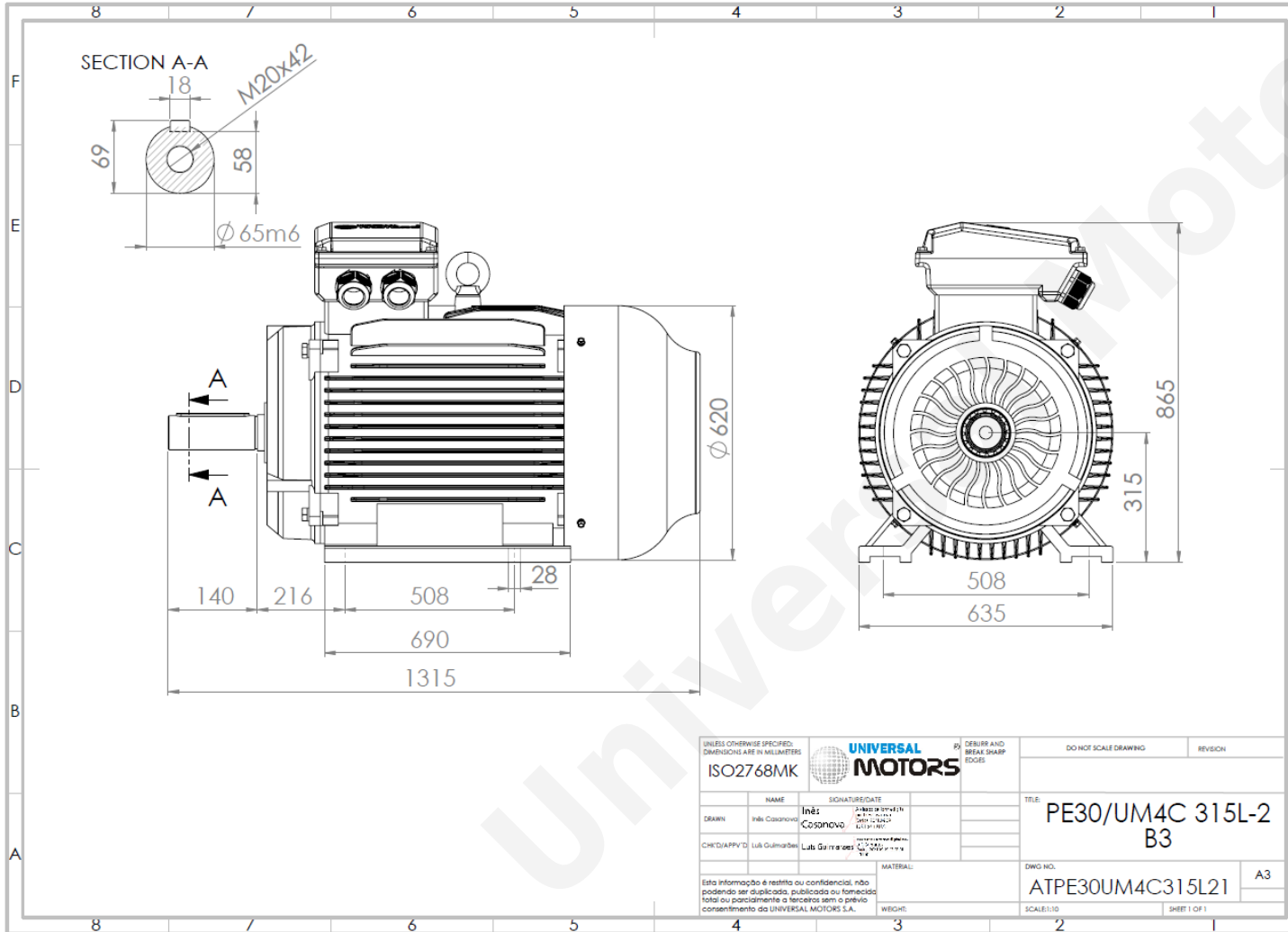


TECHNICAL DATA

Three Phase Electric Motors - Cast Iron Frame
UM3C 315L-2 IE3
160 kW / 220 Cv
2980 RPM



Motor type:	UM3C 315L-2 IE3
Output:	160 kW / 220 Cv
Speed (min ⁻¹):	2980 RPM
Voltage:	400 V
Frequency:	50 Hz
Current:	265 A
Power factor (Cos Ø):	0.91
Poles:	2
Insulation class:	F
Temperature rise Class:	B
Efficiency 50%:	94.8 %
Efficiency 75%:	95.6 %
Efficiency 100%:	95.7 %
Torque:	513 N.m
Tstarting/Tnominal:	1.8
Istarting/Inominal:	7.2
Tmaximum/Tnominal:	2.3
Noise:	92 Db(A)
Weight:	1020 Kg
Bearing DE:	6317 C3
Bearing NDE:	6317 C3

Regime - S1

Altitude - 1000m

Environment Temperature - 40°C

CONTACTS:

Universal Motors UK, Ltd
Unit E2, Meltham Mills Industrial Estate, Meltham Mills Road, Meltham, Holmfirth
West Yorkshire HD9 4AR, U.K

Tel: +44(0) 1484 660 222

Fax: +44(0) 1484 660 333

Mail: enquiries@universalmotors-group.co.uk

* References applied only in the UK