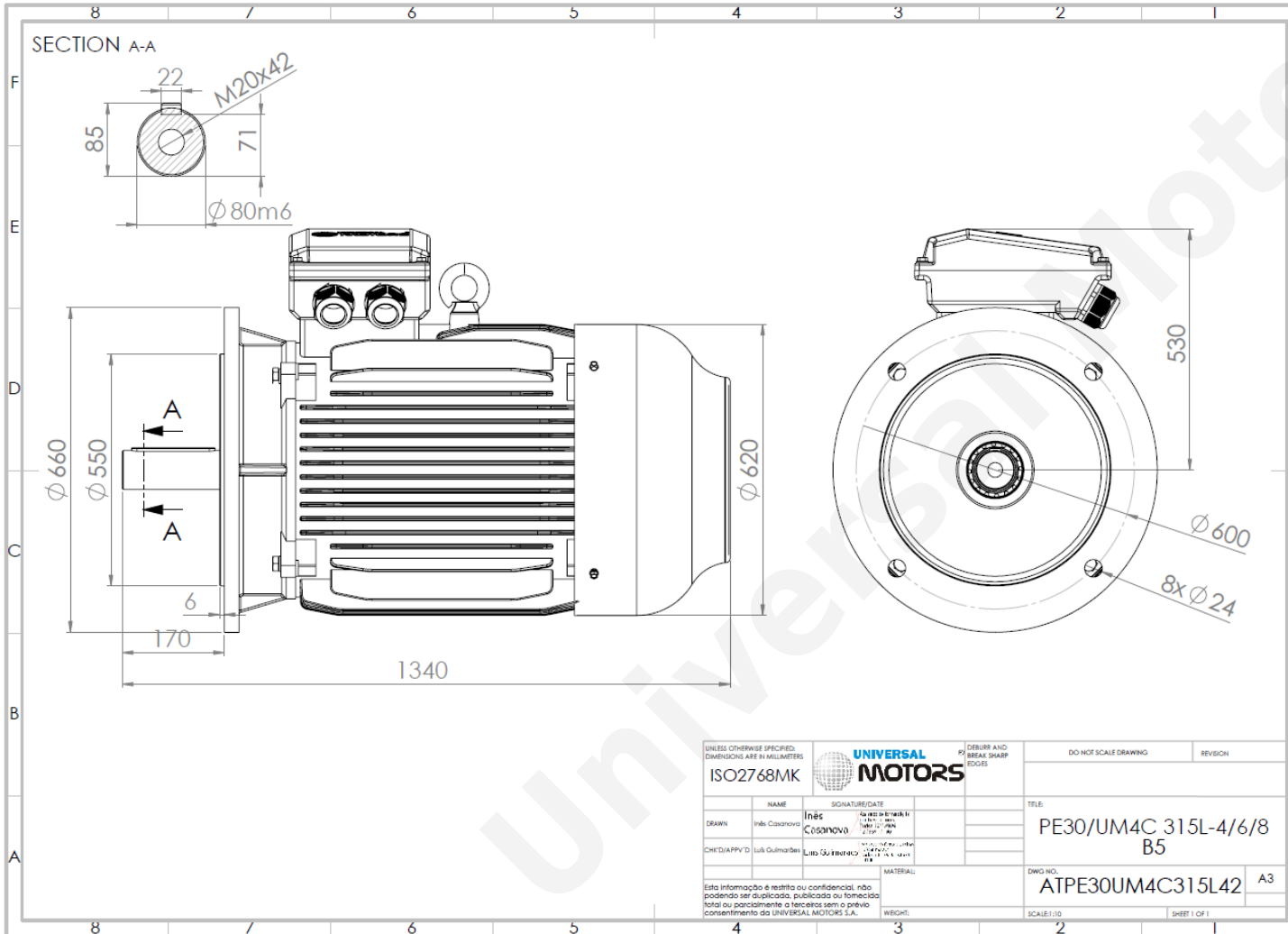


TECHNICAL DATA

Three Phase Electric Motors - Cast Iron Frame
UM3C 315LX-4 IE3
200 kW / 270 Cv
1485 RPM



Motor type:	UM3C 315LX-4 IE3
Output:	200 kW / 270 Cv
Speed (min ⁻¹):	1485 RPM
Voltage:	400 V
Frequency:	50 Hz
Current:	334 A
Power factor (Cos ϕ):	0.90
Poles:	4
Insulation class:	F
Temperature rise Class:	B
Efficiency 50%:	94.9 %
Efficiency 75%:	95.9 %
Efficiency 100%:	96.0 %
Torque:	1286 N.m
Tstarting/Tnominal:	2.0
Istarting/Inominal:	7.1
Tmaximum/Tnominal:	2.2
Noise:	88 Db(A)
Weight:	1155 Kg
Bearing DE:	NU 319
Bearing NDE:	6319 C3

Regime - S1

Altitude - 1000m

Environment Temperature - 40°C

CONTACTS:

Universal Motors UK, Ltd
Unit E2, Meltham Mills Industrial Estate, Meltham Mills Road, Meltham, Holmfirth
West Yorkshire HD9 4AR, U.K

Tel: +44(0) 1484 660 222

Fax: +44(0) 1484 660 333

Mail: enquiries@universalmotors-group.co.uk

* References applied only in the UK