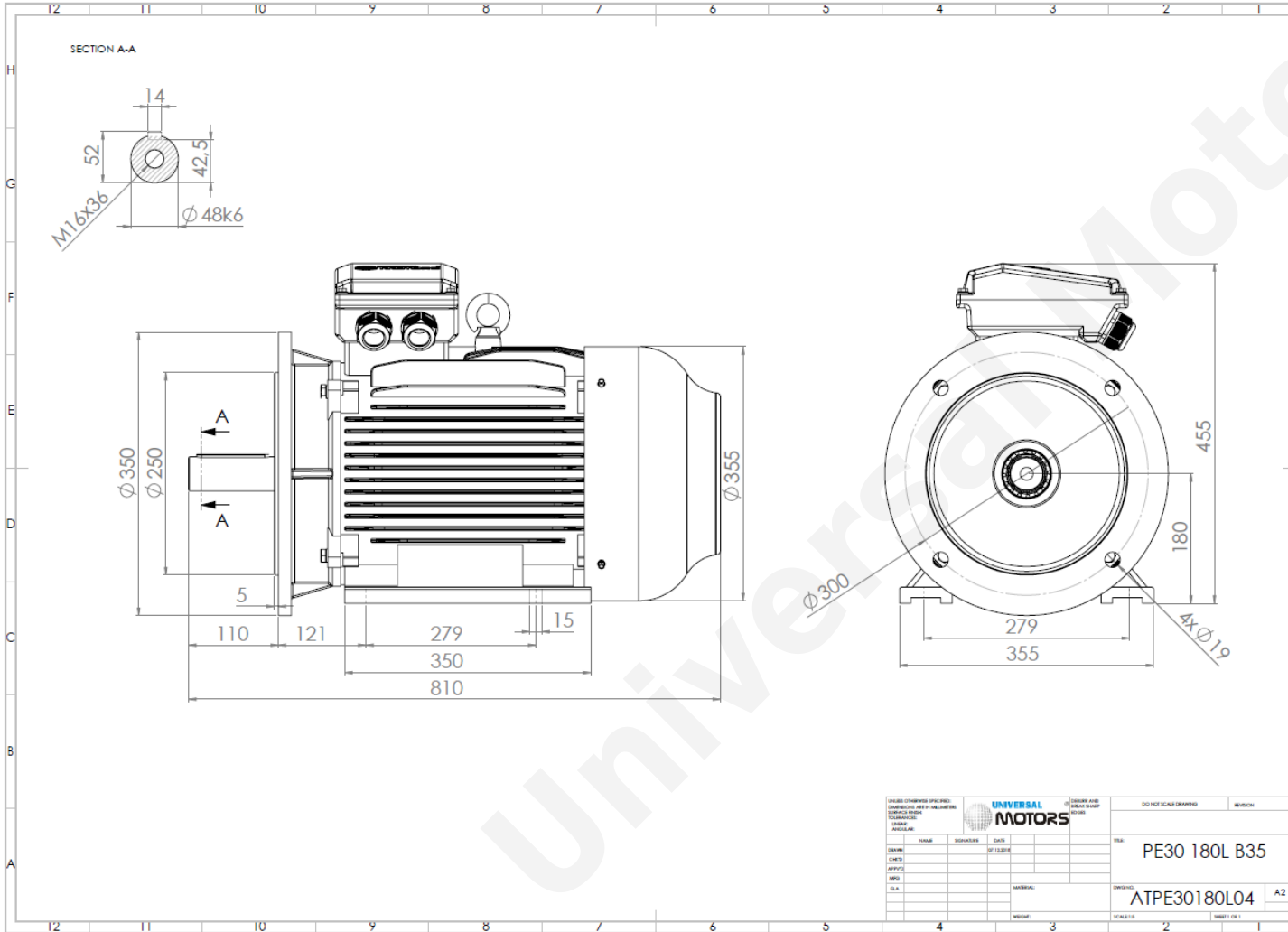


# TECHNICAL DATA

Three Phase Electric Motors - Cast Iron Frame  
UM3C 180L-8 IE3  
11 kW / 15 Cv  
730 RPM



Motor type:	<b>UM3C 180L-8 IE3</b>
Output:	<b>11 kW / 15 Cv</b>
Speed (min <sup>-1</sup> ):	<b>730 RPM</b>
Voltage:	<b>400 V</b>
Frequency:	<b>50 Hz</b>
Current:	<b>23.90 A</b>
Power factor (Cos $\phi$ ):	<b>0.75</b>
Poles:	<b>8</b>
Insulation class:	<b>F</b>
Temperature rise Class:	<b>B</b>
Efficiency 50%:	<b>86.7 %</b>
Efficiency 75%:	<b>88.9 %</b>
Efficiency 100%:	<b>88.6 %</b>
Torque:	<b>144 N.m</b>
Tstarting/Tnominal:	<b>2.0</b>
Istarting/Inominal:	<b>6.5</b>
Tmaximum/Tnominal:	<b>2.0</b>
Noise:	<b>70 Db(A)</b>
Weight:	<b>186 Kg</b>
Bearing DE:	<b>6311 C3</b>
Bearing NDE:	<b>6311 C3</b>

Regime - S1

Altitude - 1000m

Environment Temperature - 40°C

**CONTACTS:**

Universal Motors UK, Ltd  
Unit E2, Meltham Mills Industrial Estate, Meltham Mills Road, Meltham, Holmfirth  
West Yorkshire HD9 4AR, U.K

Tel: +44(0) 1484 660 222

Fax: +44(0) 1484 660 333

Mail: [enquiries@universalmotors-group.co.uk](mailto:enquiries@universalmotors-group.co.uk)

\* References applied only in the UK