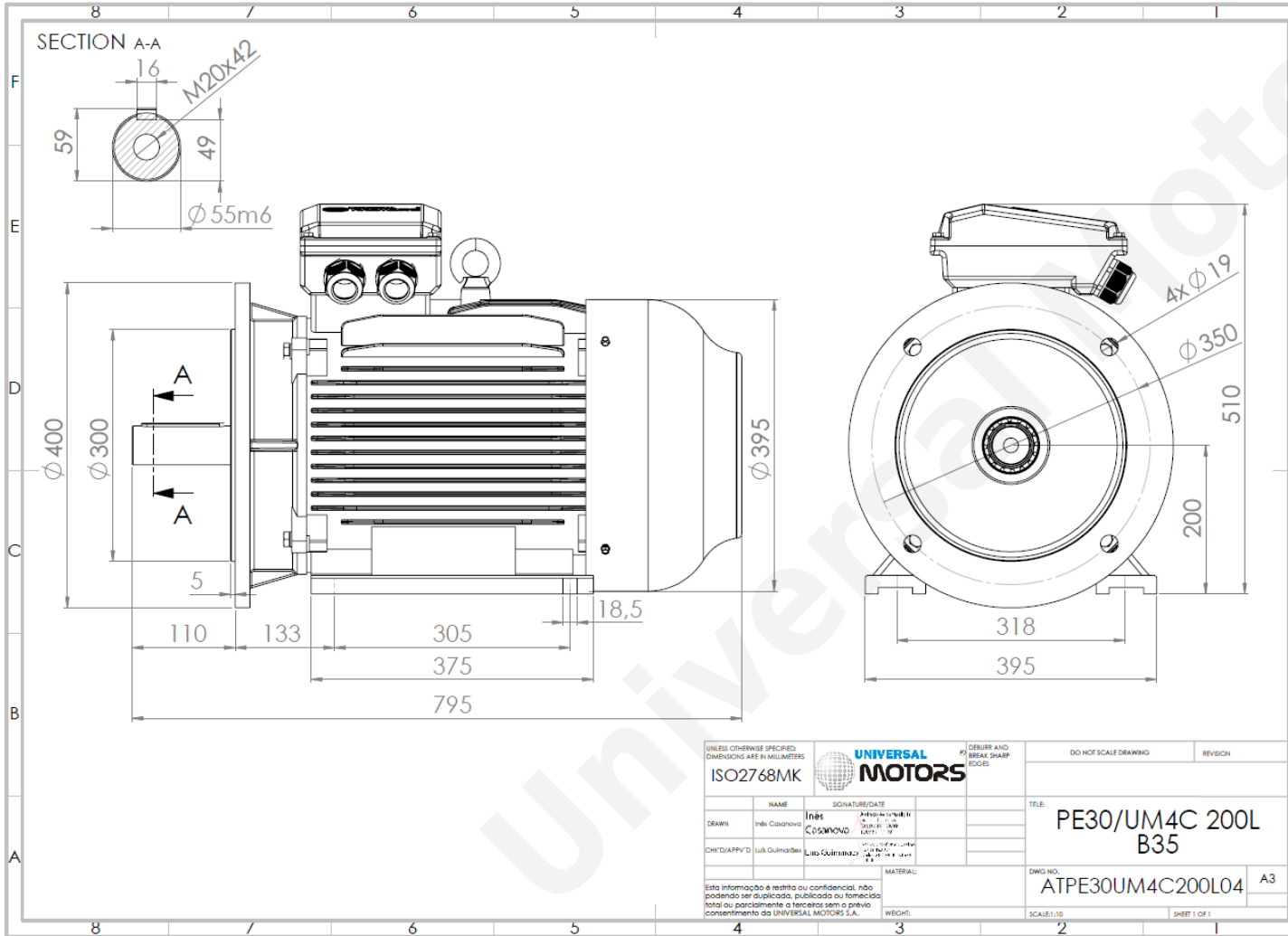


TECHNICAL DATA

Three Phase Electric Motors - Cast Iron Frame
UM3C 200L-8 IE3
15 kW / 20 Cv
730 RPM



Motor type:	UM3C 200L-8 IE3
Output:	15 kW / 20 Cv
Speed (min ⁻¹):	730 RPM
Voltage:	400 V
Frequency:	50 Hz
Current:	31.8 A
Power factor (Cos ϕ):	0.76
Poles:	8
Insulation class:	F
Temperature rise Class:	B
Efficiency 50%:	88.5 %
Efficiency 75%:	89.9 %
Efficiency 100%:	89.6 %
Torque:	196 N.m
Tstarting/Tnominal:	2.0
Istarting/Inominal:	6.6
Tmaximum/Tnominal:	2.0
Noise:	73 Db(A)
Weight:	260 Kg
Bearing DE:	6312 C3
Bearing NDE:	6312 C3

Regime - S1

Altitude - 1000m

Environment Temperature - 40°C

CONTACTS:

Universal Motors UK, Ltd
Unit E2, Meltham Mills Industrial Estate, Meltham Mills Road, Meltham, Holmfirth
West Yorkshire HD9 4AR, U.K

Tel: +44(0) 1484 660 222

Fax: +44(0) 1484 660 333

Mail: enquiries@universalmotors-group.co.uk

* References applied only in the UK