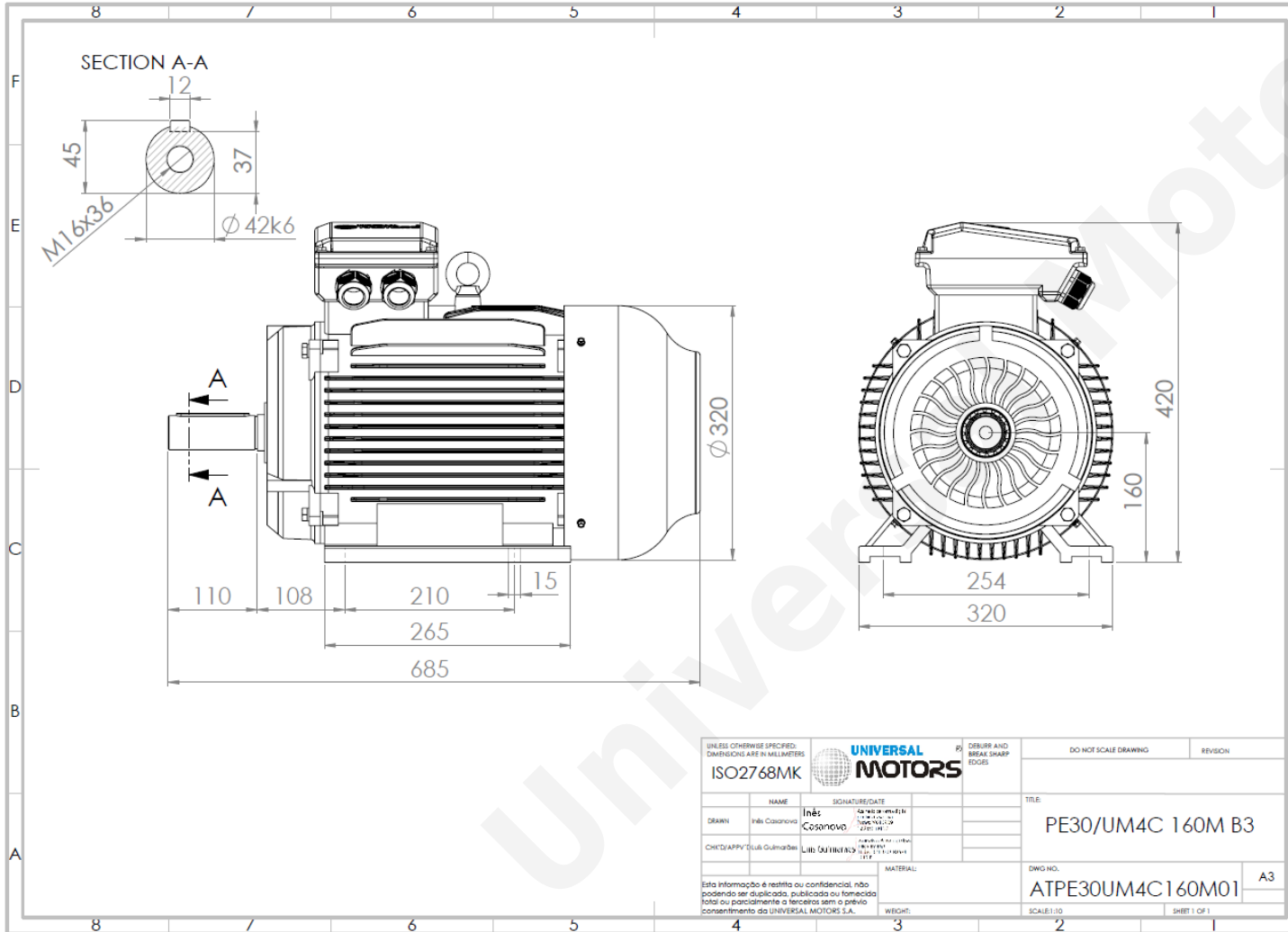


# TECHNICAL DATA

Three Phase Electric Motors - Cast Iron Frame  
 UM3C 160M-6 IE3  
 7.5 kW / 10 Cv  
 980 RPM



Motor type:	<b>UM3C 160M-6 IE3</b>
Output:	<b>7.5 kW / 10 Cv</b>
Speed (min <sup>-1</sup> ):	<b>980 RPM</b>
Voltage:	<b>400 V</b>
Frequency:	<b>50 Hz</b>
Current:	<b>15.4 A</b>
Power factor (Cos Ø):	<b>0.79</b>
Poles:	<b>6</b>
Insulation class:	<b>F</b>
Temperature rise Class:	<b>B</b>
Efficiency 50%:	<b>88.4 %</b>
Efficiency 75%:	<b>89.6 %</b>
Efficiency 100%:	<b>89.2 %</b>
Torque:	<b>73 N.m</b>
Tstarting/Tnominal:	<b>2.0</b>
Istarting/Inominal:	<b>7.0</b>
Tmaximum/Tnominal:	<b>2.1</b>
Noise:	<b>73 Db(A)</b>
Weight:	<b>124 Kg</b>
Bearing DE:	<b>6309 C3</b>
Bearing NDE:	<b>6309 C3</b>

UNLESS OTHERWISE SPECIFIED: DIMENSIONS ARE IN MILLIMETERS		<b>UNIVERSAL MOTORS</b>		DEBURR AND BREAK SHARP EDGES	DO NOT SCALE DRAWING	REVISION
ISO2768MK						
NAME	SIGNATURE/DATE	TITLE				
DRW: Inês Casanova	Cosanova	PE30/UM4C 160M B3				
CHK:DIAPY/CLB/Guilmar	LIB: SOUTHWAL	DWG NO:		A3		
MATERIAL:		ATPE30UM4C160M01				
Esta informação é restrita ou confidencial, não podendo ser duplicada, publicada ou fornecida total ou parcialmente a terceiros sem o prévio consentimento da UNIVERSAL MOTORS S.A.		WEIGHT:		SCALE:1:10		SHEET 1 OF 1

Regime - S1

Altitude - 1000m

Environment Temperature - 40°C

**CONTACTS:**

Universal Motors UK, Ltd  
 Unit E2, Meltham Mills Industrial Estate, Meltham Mills Road, Meltham, Holmfirth  
 West Yorkshire HD9 4AR, U.K

Tel: +44(0) 1484 660 222

Fax: +44(0) 1484 660 333

Mail: [enquiries@universalmotors-group.co.uk](mailto:enquiries@universalmotors-group.co.uk)

\* References applied only in the UK