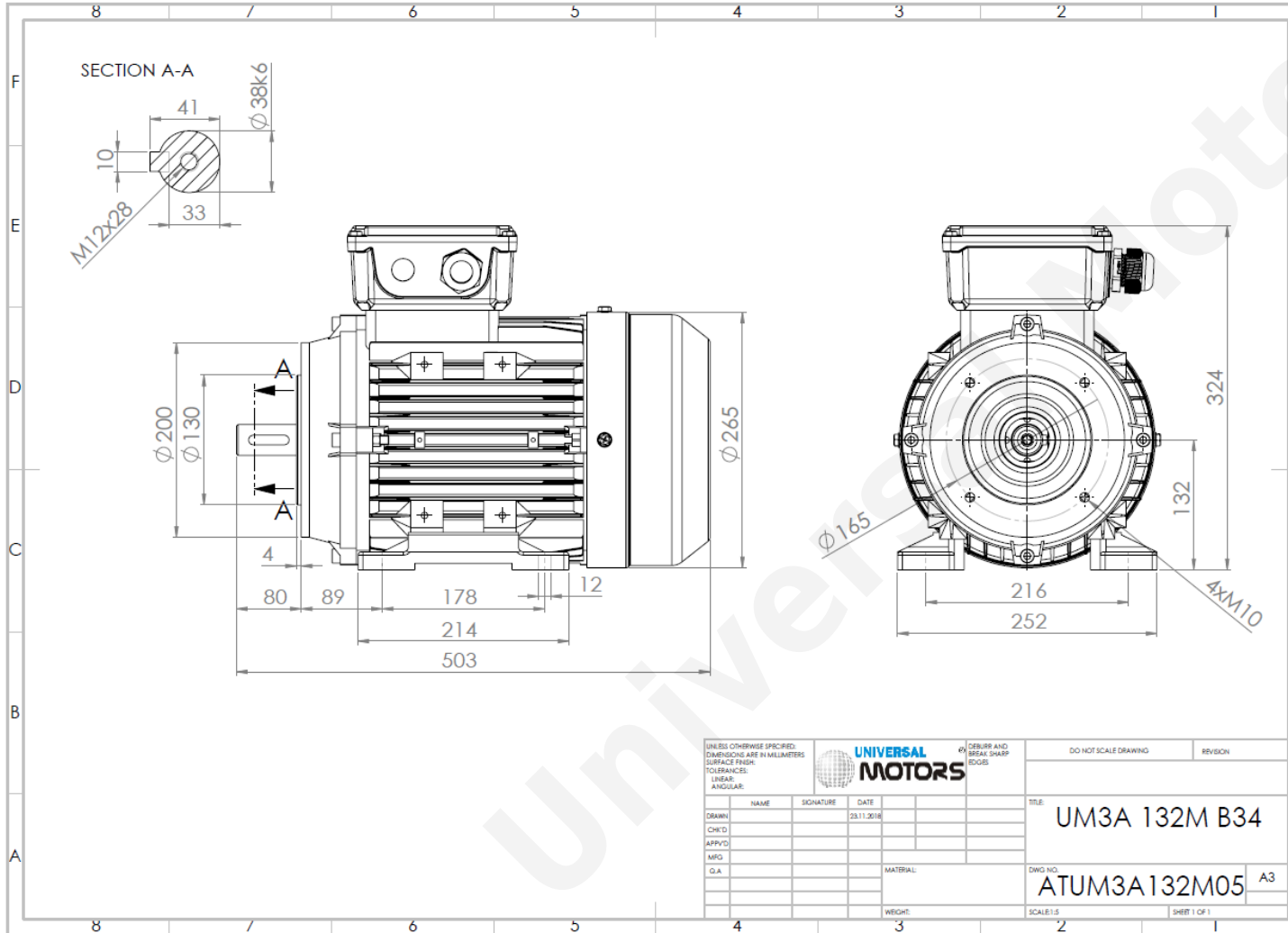



TECHNICAL DATA

Three Phase Electric Motors - Aluminum Frame
UM3A 132M-4
7.5 kW / 10 Cv
1455 RPM



Motor type:	UM3A 132M-4
Output:	7.5 kW / 10 Cv
Speed (min ⁻¹):	1455 RPM
Voltage:	400 V
Frequency:	50 Hz
Current:	14.4 A
Power factor (Cos Ø):	0.83
Poles:	4
Insulation class:	F
Temperature rise Class:	B
Efficiency 50%:	88.6 %
Efficiency 75%:	89.5 %
Efficiency 100%:	90.4 %
Torque:	49.2 N.m
Tstarting/Tnominal:	2.0
Istarting/Inominal:	7.4
Tmaximum/Tnominal:	2.3
Noise:	75 Db(A)
Weight:	61 Kg
Bearing DE:	6308 2Z C3
Bearing NDE:	6308 2Z C3

UNLESS OTHERWISE SPECIFIED: DIMENSIONS ARE IN MILLIMETERS SURFACE FINISH: TOLERANCES: LINEAR: ANGULAR:					DEBURR AND BREAK SHARP EDGES	DO NOT SCALE DRAWING	REVISION
NAME	SIGNATURE	DATE			TITLE:	UM3A 132M B34	
DRAWN		23.11.2016			DWG NO.:	ATUM3A132M05 A3	
CHK'D					SCALE:	1:1	
APP'VD					SHEET	1 OF 1	
MFG							
Q.A.							
			MATERIAL:				
			WEIGHT:				

Regime - S1

Altitude - 1000m

Environment Temperature - 40°C

CONTACTS:

Universal Motors UK, Ltd
 Unit E2, Meltham Mills Industrial Estate, Meltham Mills Road, Meltham, Holmfirth
 West Yorkshire HD9 4AR, U.K

Tel: +44(0) 1484 660 222
 Fax: +44(0) 1484 660 333

Mail: enquiries@universalmotors-group.co.uk

* References applied only in the UK