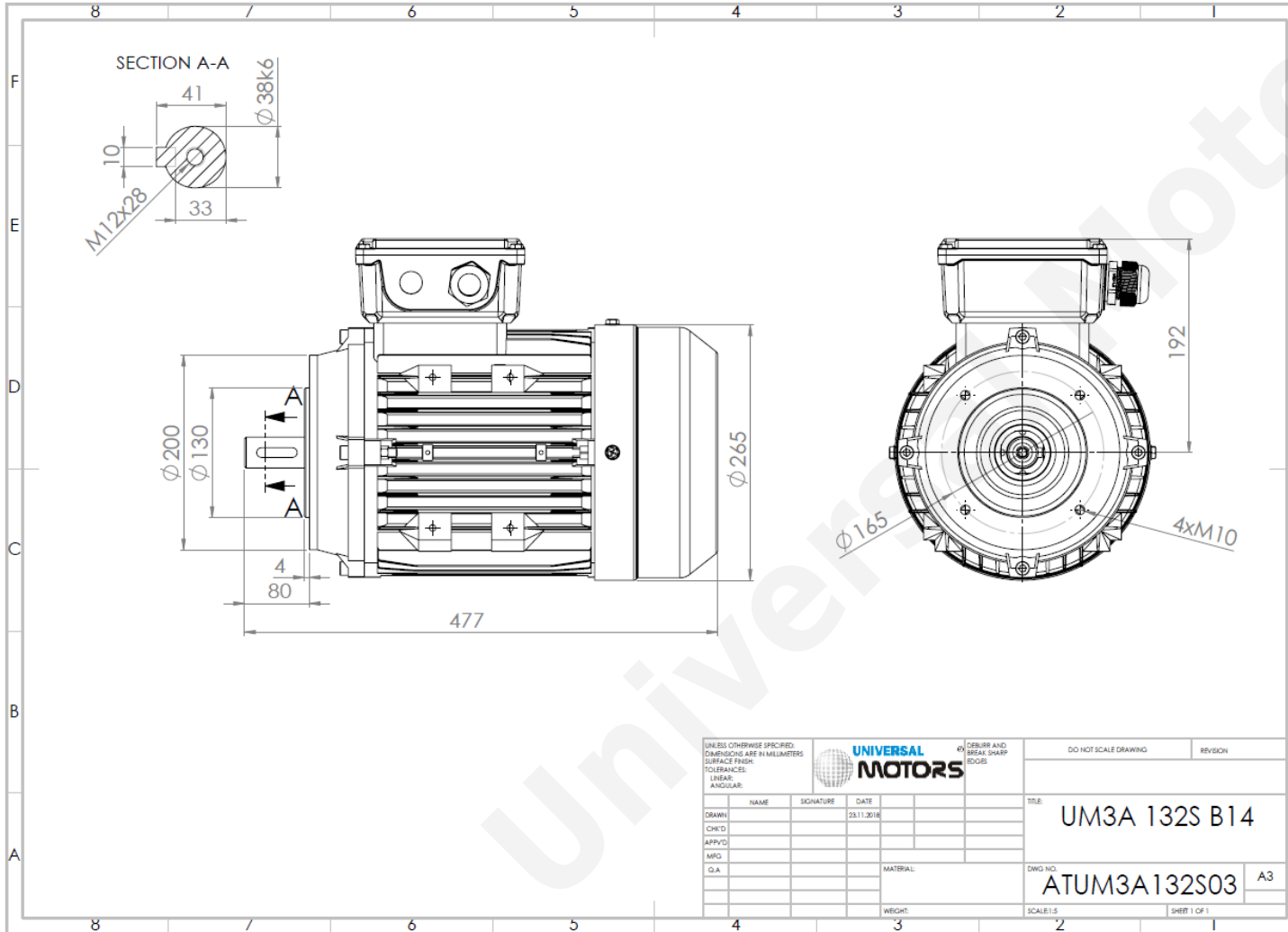



# TECHNICAL DATA

Three Phase Electric Motors - Aluminum Frame  
 UM3A 132S-4  
 5.5 kW / 7.5 Cv  
 1455 RPM



Motor type:	<b>UM3A 132S-4</b>
Output:	<b>5.5 kW / 7.5 Cv</b>
Speed ( $\text{min}^{-1}$ ):	<b>1455 RPM</b>
Voltage:	<b>400 V</b>
Frequency:	<b>50 Hz</b>
Current:	<b>10.8 A</b>
Power factor ( $\text{Cos } \phi$ ):	<b>0.82</b>
Poles:	<b>4</b>
Insulation class:	<b>F</b>
Temperature rise Class:	<b>B</b>
Efficiency 50%:	<b>87.8 %</b>
Efficiency 75%:	<b>88.7 %</b>
Efficiency 100%:	<b>89.6 %</b>
Torque:	<b>36.1 N.m</b>
Tstarting/Tnominal:	<b>2.0</b>
Istarting/Inominal:	<b>7.5</b>
Tmaximum/Tnominal:	<b>2.3</b>
Noise:	<b>75 Db(A)</b>
Weight:	<b>51 Kg</b>
Bearing DE:	<b>6308 2Z C3</b>
Bearing NDE:	<b>6308 2Z C3</b>

UNLESS OTHERWISE SPECIFIED: DIMENSIONS ARE IN MILLIMETERS SURFACE FINISH: TOLERANCES: LINEAR: ANGULAR:						DEBURR AND BREAK SHARP EDGES		DO NOT SCALE DRAWING		REVISION	
NAME	SIGNATURE	DATE	TITLE: <b>UM3A 132S B14</b>								
DRAWN		23.11.2018	DWG NO.: <b>ATUM3A132S03</b>								
CHK'D			SCALE: 1:1								
APP'VD			SHEET 1 OF 1								
MFG			MATERIAL:								
IQA			WEIGHT:								

Regime - S1

Altitude - 1000m

Environment Temperature - 40°C

**CONTACTS:**

Universal Motors UK, Ltd  
 Unit E2, Meltham Mills Industrial Estate, Meltham Mills Road, Meltham, Holmfirth  
 West Yorkshire HD9 4AR, U.K.

Tel: +44(0) 1484 660 222  
 Fax: +44(0) 1484 660 333  
 Mail: [enquiries@universalmotors-group.co.uk](mailto:enquiries@universalmotors-group.co.uk)

\* References applied only in the UK