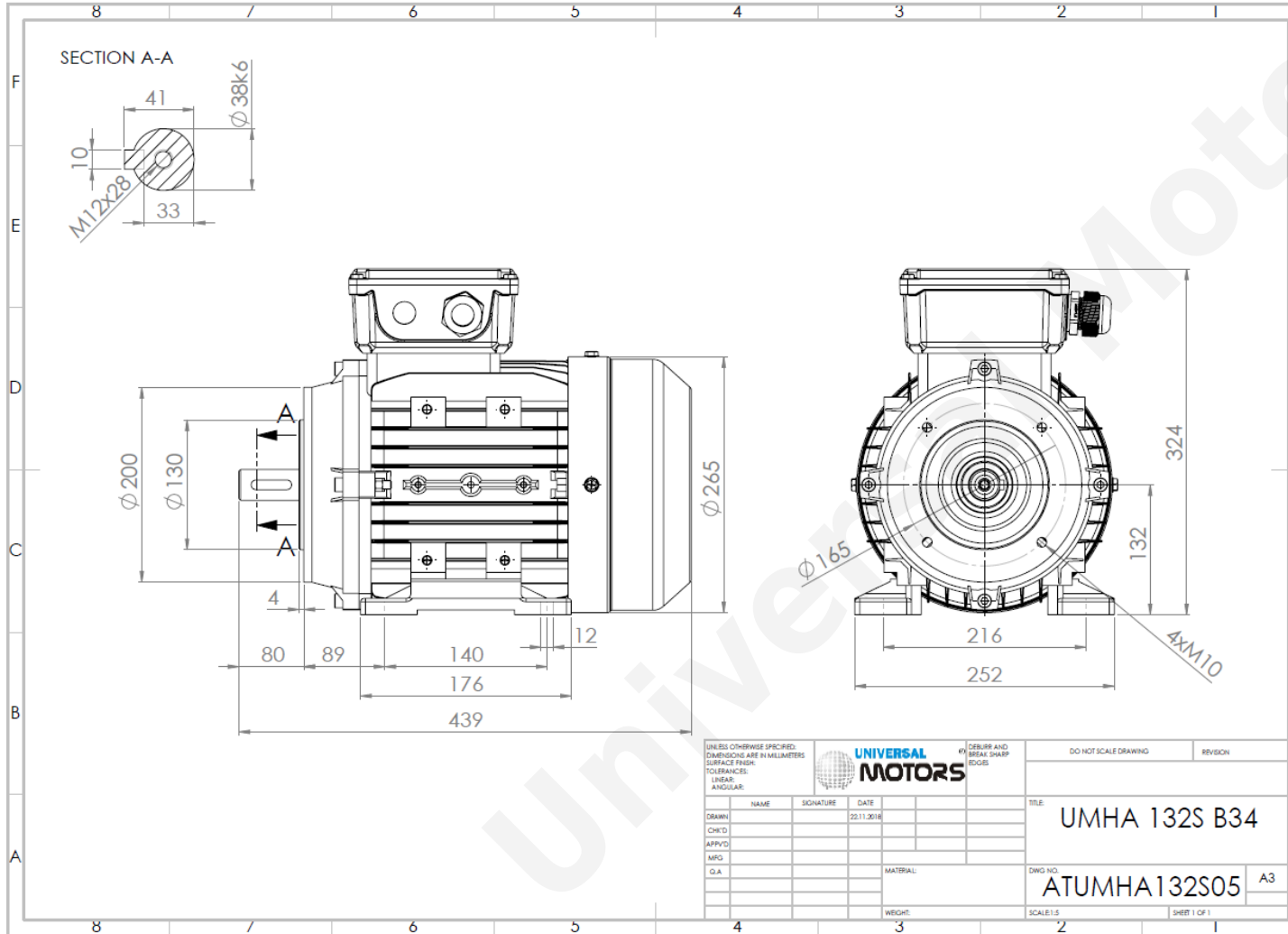


# TECHNICAL DATA

Three Phase Electric Motors - Aluminum Frame  
UMHA 132S-4 IE2  
5.5 kW / 7.5 Cv  
1455 RPM



Motor type:	<b>UMHA 132S-4 IE2</b>
Output:	<b>5.5 kW / 7.5 Cv</b>
Speed (min <sup>-1</sup> ):	<b>1455 RPM</b>
Voltage:	<b>400 V</b>
Frequency:	<b>50 Hz</b>
Current:	<b>11.0 A</b>
Power factor (Cos Ø):	<b>0.82</b>
Poles:	<b>4</b>
Insulation class:	<b>F</b>
Temperature rise Class:	<b>B</b>
Efficiency 50%:	<b>87.7 %</b>
Efficiency 75%:	<b>88.0 %</b>
Efficiency 100%:	<b>87.7 %</b>
Torque:	<b>36.1 N.m</b>
Tstarting/Tnominal:	<b>2.0</b>
Istarting/Inominal:	<b>7.5</b>
Tmaximum/Tnominal:	<b>2.3</b>
Noise:	<b>75 Db(A)</b>
Weight:	<b>50.5 Kg</b>
Bearing DE:	<b>6308 2Z C3</b>
Bearing NDE:	<b>6308 2Z C3</b>

Regime - S1

Altitude - 1000m

Environment Temperature - 40°C

**CONTACTS:**

ACDC Drives Ltd  
Units 96 C & D, Blackpole Trading Estate, Blackpole Road,  
Worcester, WR3 8TJ

Tel: +44(0) 1905 887 667  
Mail: [sales@acdcdrives.co.uk](mailto:sales@acdcdrives.co.uk)

\* References applied only in the UK