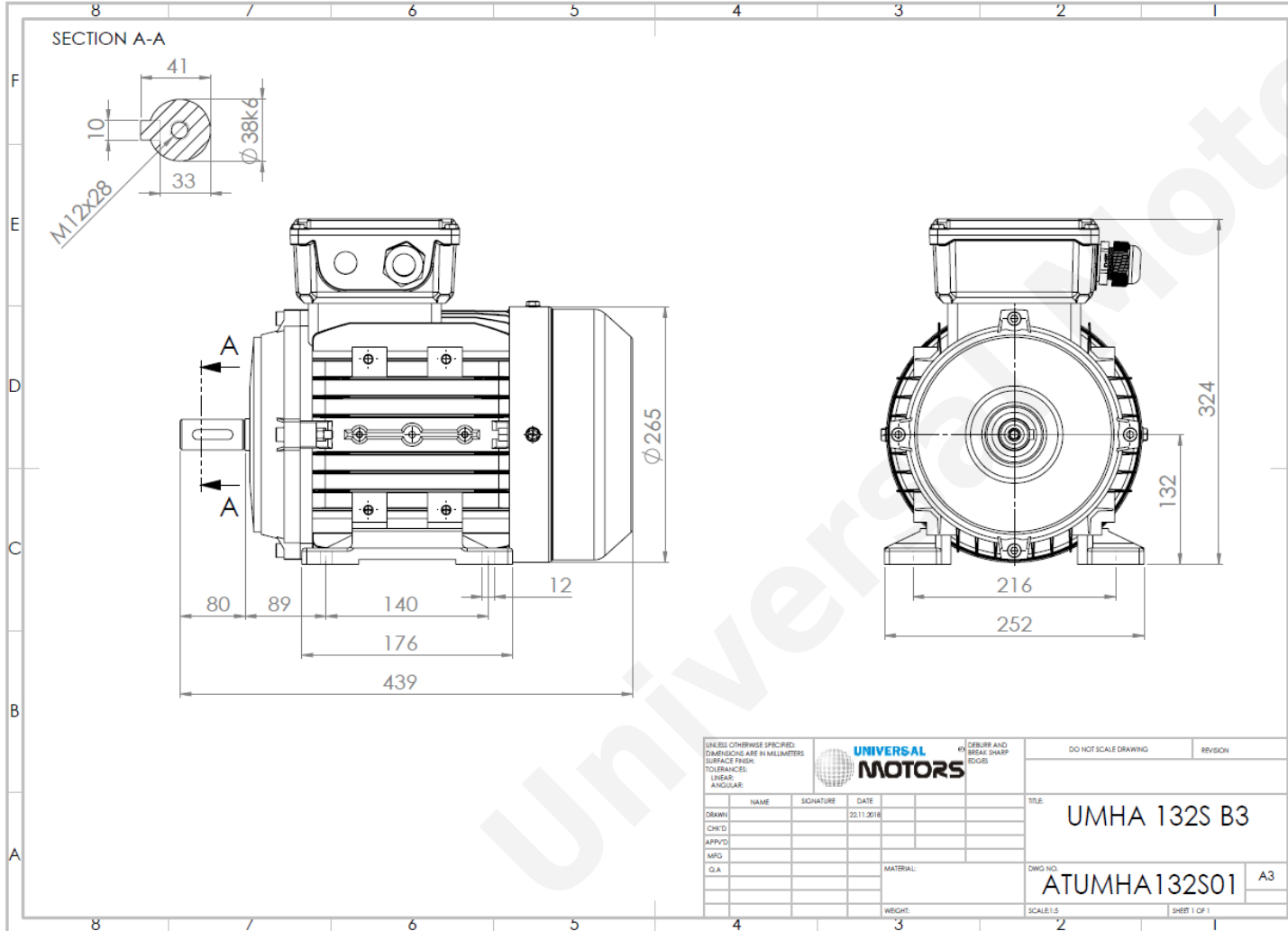


TECHNICAL DATA

Three Phase Electric Motors - Aluminum Frame
UMHA 132S-4 IE2
5.5 kW / 7.5 Cv
1455 RPM



Motor type:	UMHA 132S-4 IE2
Output:	5.5 kW / 7.5 Cv
Speed (min ⁻¹):	1455 RPM
Voltage:	400 V
Frequency:	50 Hz
Current:	11.0 A
Power factor (Cos Ø):	0.82
Poles:	4
Insulation class:	F
Temperature rise Class:	B
Efficiency 50%:	87.7 %
Efficiency 75%:	88.0 %
Efficiency 100%:	87.7 %
Torque:	36.1 N.m
Tstarting/Tnominal:	2.0
Istarting/Inominal:	7.5
Tmaximum/Tnominal:	2.3
Noise:	75 Db(A)
Weight:	50.5 Kg
Bearing DE:	6308 2Z C3
Bearing NDE:	6308 2Z C3

Regime - S1

Altitude - 1000m

Environment Temperature - 40°C

CONTACTS:

ACDC Drives Ltd
Units 96 C & D, Blackpole Trading Estate, Blackpole Road,
Worcester, WR3 8TJ

Tel: +44(0) 1905 887 667
Mail: sales@acdcd rives.co.uk

* References applied only in the UK