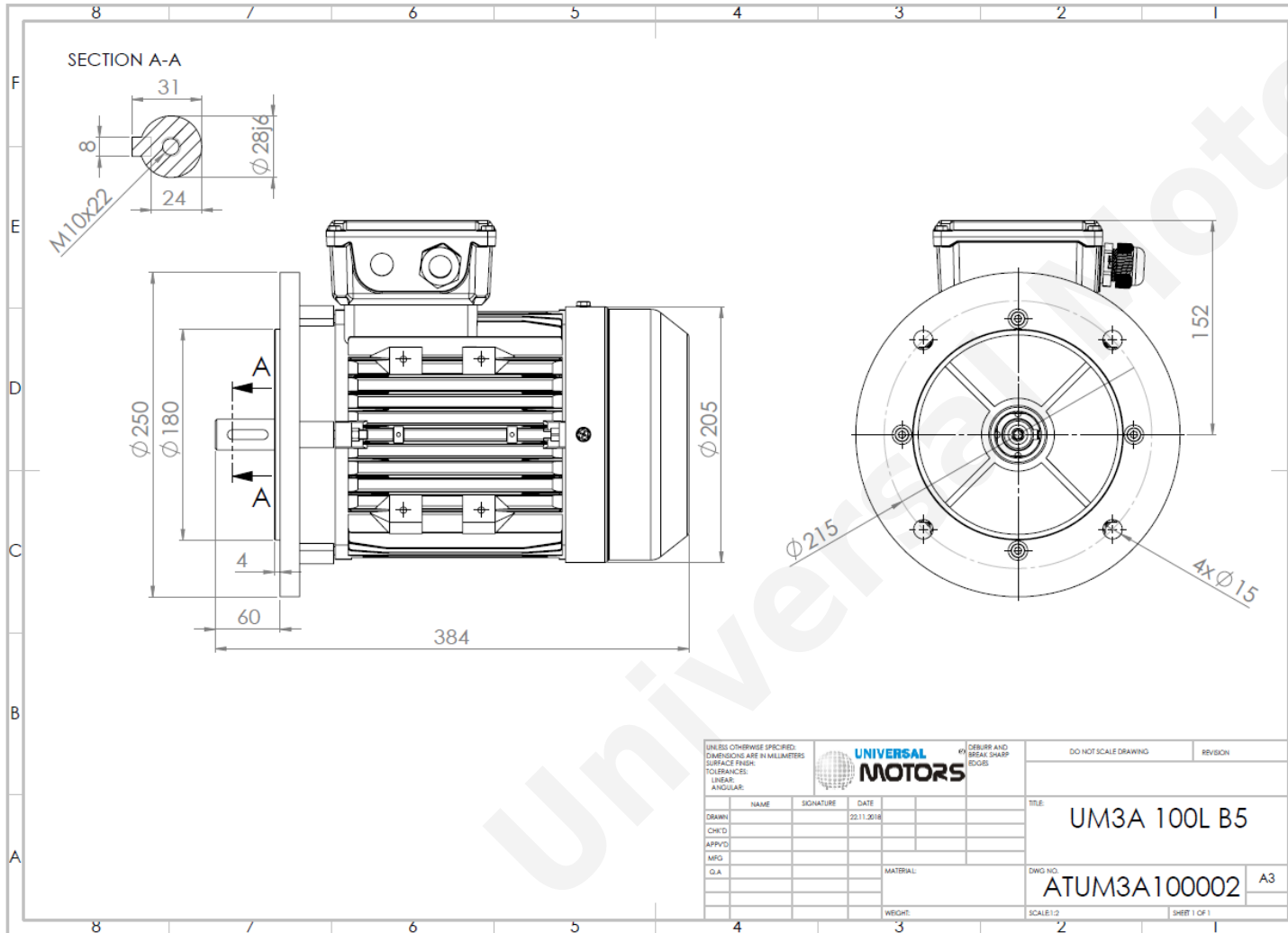


TECHNICAL DATA

Three Phase Electric Motors - Aluminum Frame
UM3A 100LX-4
3 kW / 4 Cv
1450 RPM



Motor type:	UM3A 100LX-4
Output:	3 kW / 4 Cv
Speed (min^{-1}):	1450 RPM
Voltage:	400 V
Frequency:	50 Hz
Current:	6.0 A
Power factor ($\text{Cos } \phi$):	0.82
Poles:	4
Insulation class:	F
Temperature rise Class:	B
Efficiency 50%:	85.5 %
Efficiency 75%:	86.4 %
Efficiency 100%:	87.7 %
Torque:	19.8 N.m
Tstarting/Tnominal:	2.3
Istarting/Inominal:	7.6
Tmaximum/Tnominal:	2.3
Noise:	70 Db(A)
Weight:	30 Kg
Bearing DE:	6206 2Z C3
Bearing NDE:	6206 2Z C3

Regime - S1

Altitude - 1000m

Environment Temperature - 40°C

CONTACTS:

Universal Motors UK, Ltd
 Unit E2, Meltham Mills Industrial Estate, Meltham Mills Road, Meltham, Holmfirth
 West Yorkshire HD9 4AR, U.K

Tel: +44(0) 1484 660 222

Fax: +44(0) 1484 660 333

Mail: enquiries@universalmotors-group.co.uk

* References applied only in the UK