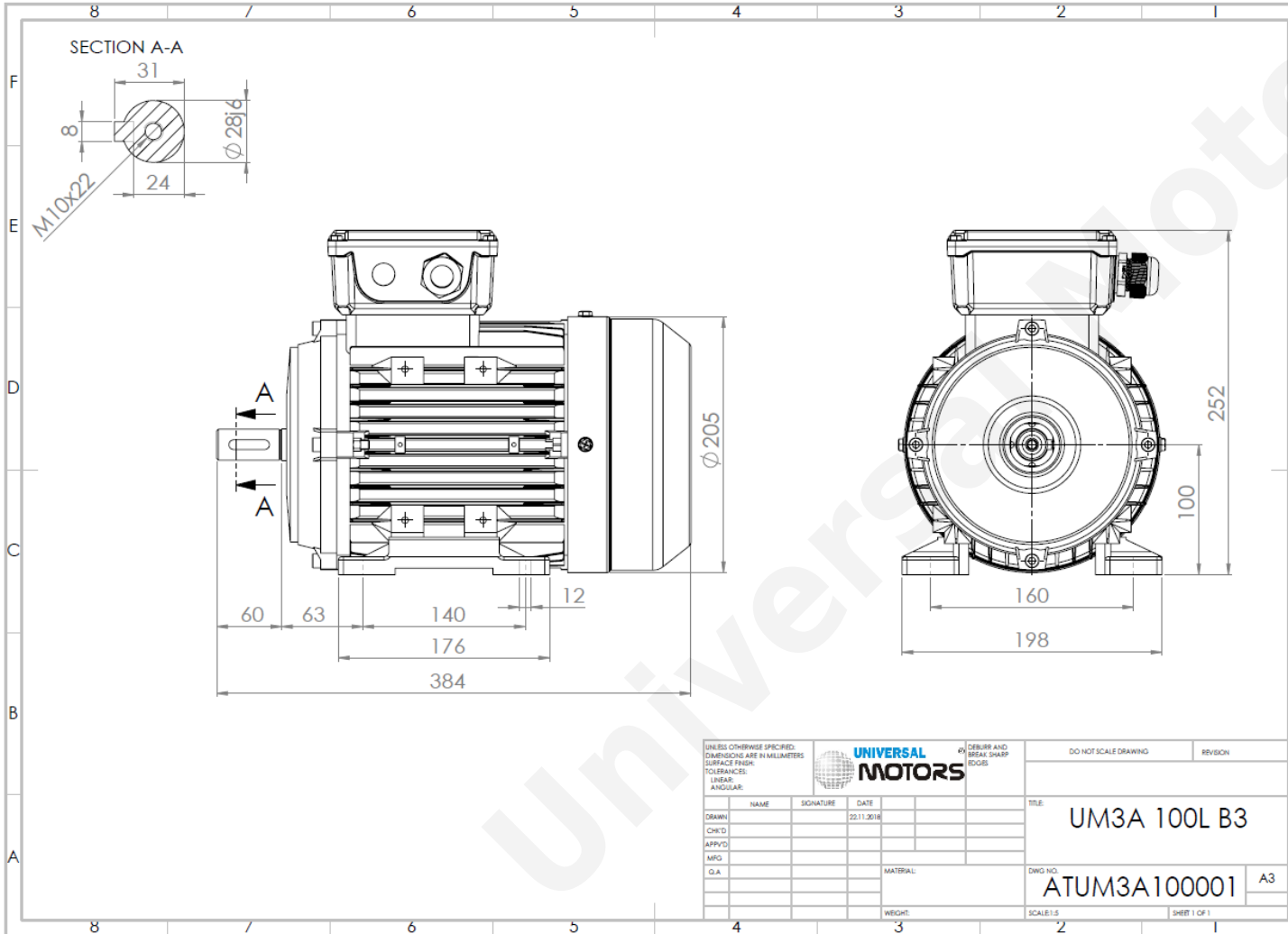


TECHNICAL DATA

Three Phase Electric Motors - Aluminum Frame
UM3A 100LX-4
3 kW / 4 Cv
1450 RPM



| | |
|-----------------------------|---------------------|
| Motor type: | UM3A 100LX-4 |
| Output: | 3 kW / 4 Cv |
| Speed (min ⁻¹): | 1450 RPM |
| Voltage: | 400 V |
| Frequency: | 50 Hz |
| Current: | 6.0 A |
| Power factor (Cos ϕ): | 0.82 |
| Poles: | 4 |
| Insulation class: | F |
| Temperature rise Class: | B |
| Efficiency 50%: | 85.5 % |
| Efficiency 75%: | 86.4 % |
| Efficiency 100%: | 87.7 % |
| Torque: | 19.8 N.m |
| Tstarting/Tnominal: | 2.3 |
| Istarting/Inominal: | 7.6 |
| Tmaximum/Tnominal: | 2.3 |
| Noise: | 70 Db(A) |
| Weight: | 30 Kg |
| Bearing DE: | 6206 2Z C3 |
| Bearing NDE: | 6206 2Z C3 |

Regime - S1

Altitude - 1000m

Environment Temperature - 40°C

CONTACTS:

Universal Motors UK, Ltd
 Unit E2, Meltham Mills Industrial Estate, Meltham Mills Road, Meltham, Holmfirth
 West Yorkshire HD9 4AR, U.K

Tel: +44(0) 1484 660 222
 Fax: +44(0) 1484 660 333

Mail: enquiries@universalmotors-group.co.uk

* References applied only in the UK