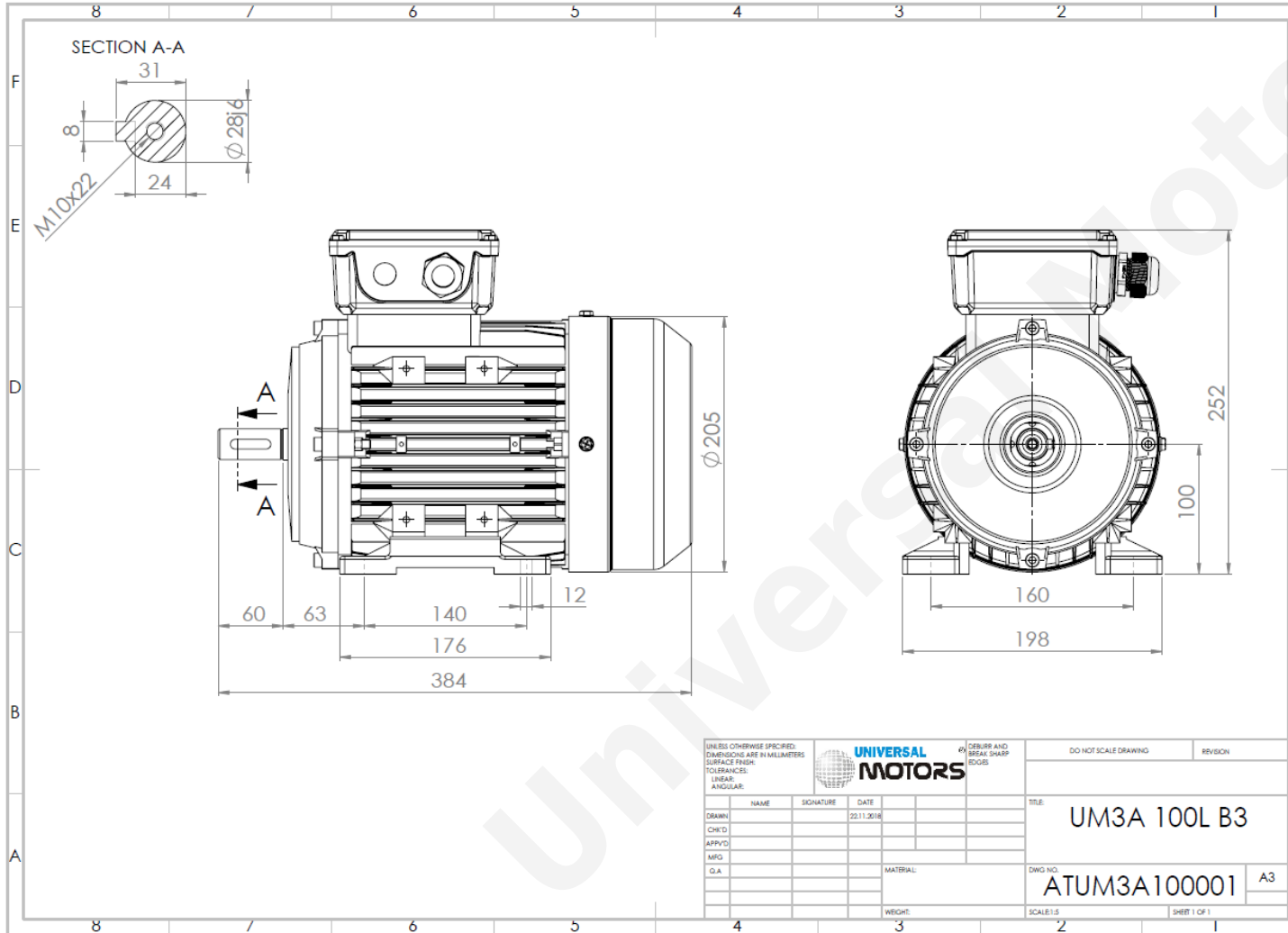


TECHNICAL DATA

Three Phase Electric Motors - Aluminum Frame
 UM3A 100L-4
 2.2 kW / 3 Cv
 1450 RPM



| | |
|-----------------------------|----------------------|
| Motor type: | UM3A 100L-4 |
| Output: | 2.2 kW / 3 Cv |
| Speed (min ⁻¹): | 1450 RPM |
| Voltage: | 400 V |
| Frequency: | 50 Hz |
| Current: | 4.5 A |
| Power factor (Cos ϕ): | 0.81 |
| Poles: | 4 |
| Insulation class: | F |
| Temperature rise Class: | B |
| Efficiency 50%: | 84.5 % |
| Efficiency 75%: | 85.4 % |
| Efficiency 100%: | 86.7 % |
| Torque: | 14.5 N.m |
| Tstarting/Tnominal: | 2.3 |
| Istarting/Inominal: | 7.5 |
| Tmaximum/Tnominal: | 2.3 |
| Noise: | 70 Db(A) |
| Weight: | 25 Kg |
| Bearing DE: | 6206 2Z C3 |
| Bearing NDE: | 6206 2Z C3 |

Regime - S1

Altitude - 1000m

Environment Temperature - 40°C

CONTACTS:

Universal Motors UK, Ltd
 Unit E2, Meltham Mills Industrial Estate, Meltham Mills Road, Meltham, Holmfirth
 West Yorkshire HD9 4AR, U.K

Tel: +44(0) 1484 660 222
 Fax: +44(0) 1484 660 333

Mail: enquiries@universalmotors-group.co.uk

* References applied only in the UK