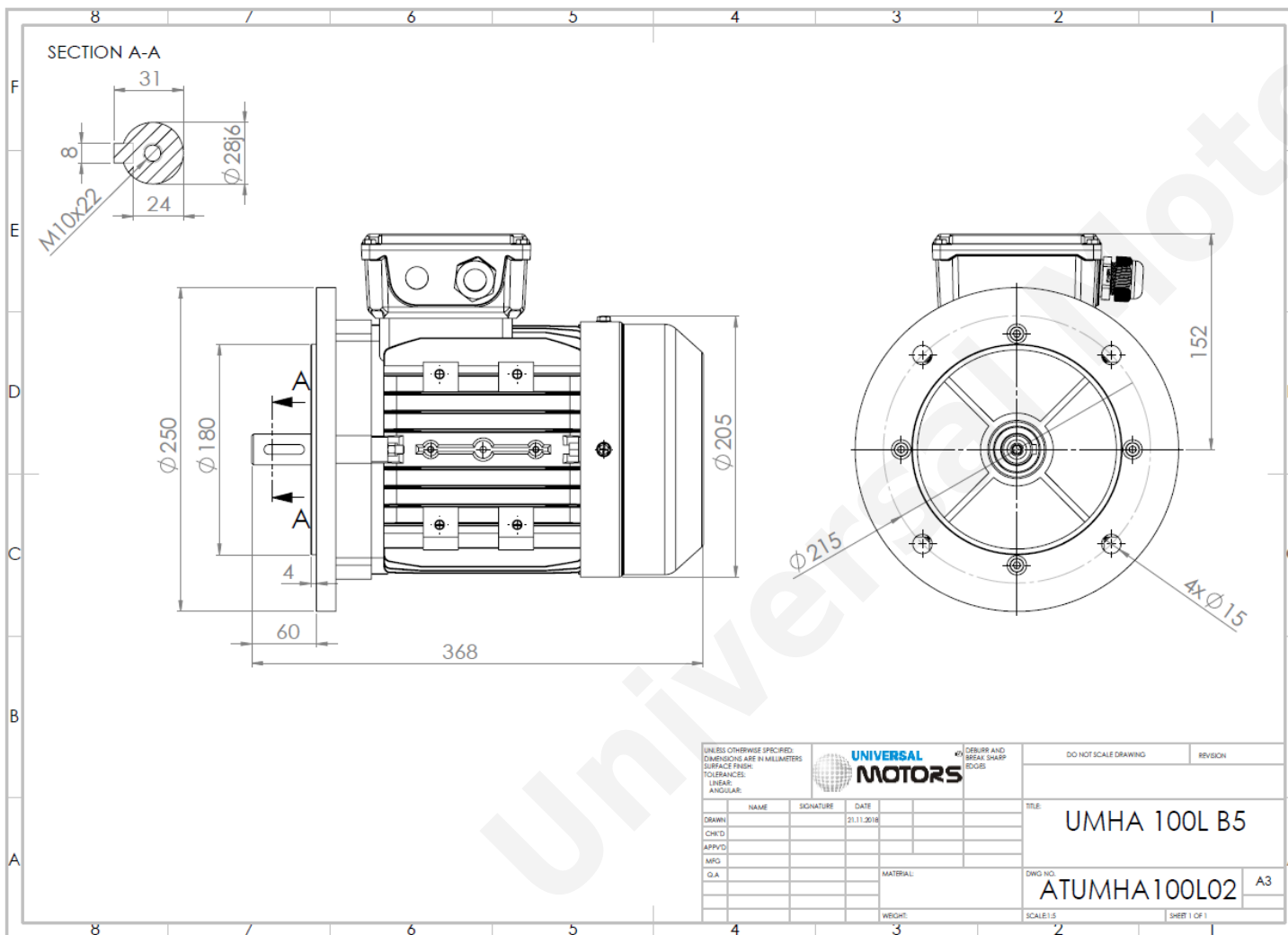


TECHNICAL DATA

Three Phase Electric Motors - Aluminum Frame
UMHA 100L-4 IE2
2.2 kW / 3 Cv
1450 RPM



| | |
|-----------------------------|------------------------|
| Motor type: | UMHA 100L-4 IE2 |
| Output: | 2.2 kW / 3 Cv |
| Speed (min ⁻¹): | 1450 RPM |
| Voltage: | 400 V |
| Frequency: | 50 Hz |
| Current: | 4.7 A |
| Power factor (Cos Ø): | 0.1 |
| Poles: | 4 |
| Insulation class: | F |
| Temperature rise Class: | B |
| Efficiency 50%: | 83.4 % |
| Efficiency 75%: | 84.8 % |
| Efficiency 100%: | 84.3 % |
| Torque: | 14.5 N.m |
| Tstarting/Tnominal: | 2.3 |
| Istarting/Inominal: | 7.5 |
| Tmaximum/Tnominal: | 2.3 |
| Noise: | 70 Db(A) |
| Weight: | 25.0 Kg |
| Bearing DE: | 6206 2Z C3 |
| Bearing NDE: | 6206 2Z C3 |

Regime - S1

Altitude - 1000m

Environment Temperature - 40°C

CONTACTS:

ACDC Drives Ltd
Units 96 C & D, Blackpole Trading Estate, Blackpole Road,
Worcester, WR3 8TJ

Tel: +44(0) 1905 887 667
Mail: sales@acdcd rives.co.uk

* References applied only in the UK