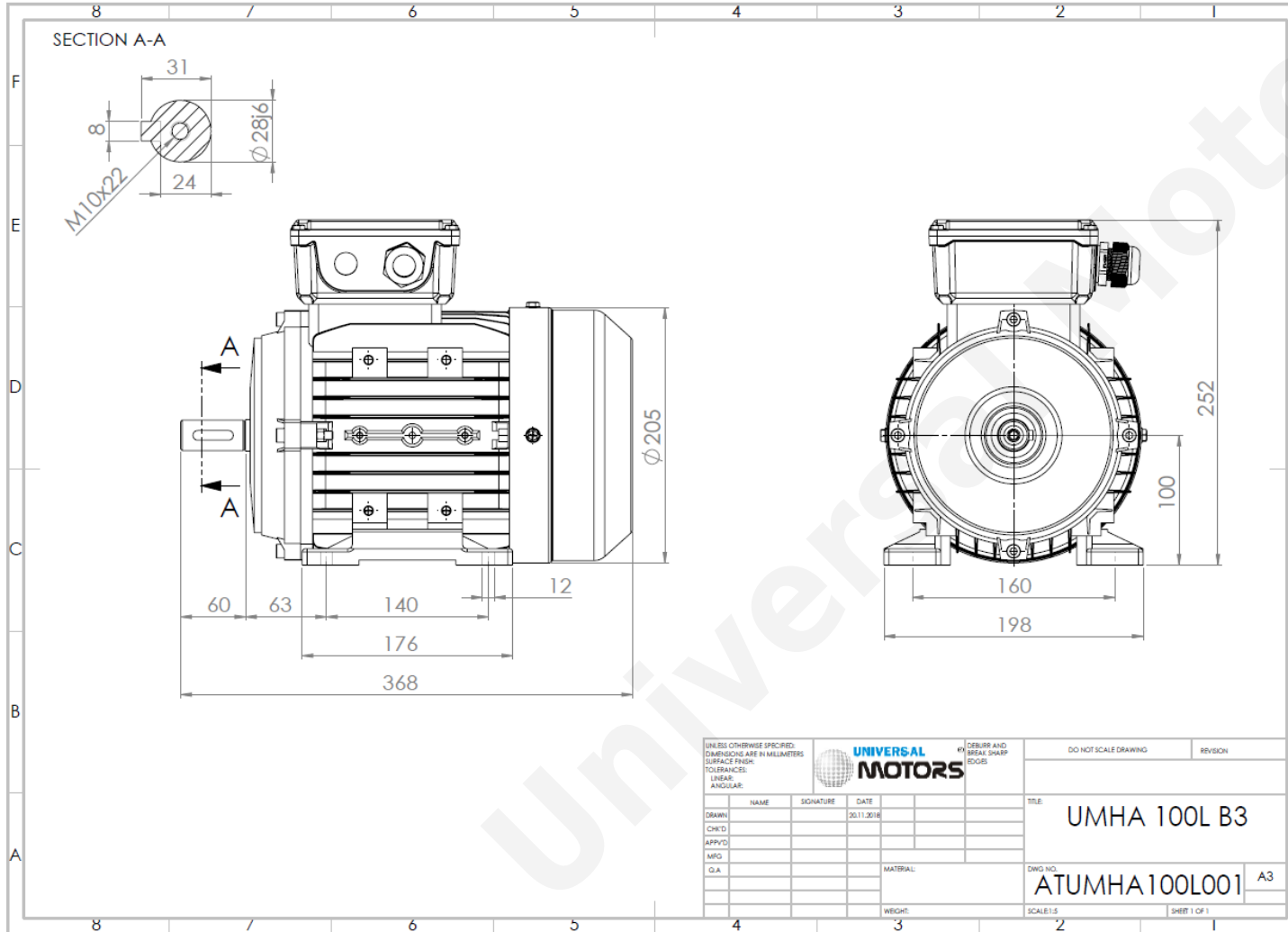


TECHNICAL DATA

Three Phase Electric Motors - Aluminum Frame
UMHA 100L-4 IE2
2.2 kW / 3 Cv
1450 RPM



Motor type:	UMHA 100L-4 IE2
Output:	2.2 kW / 3 Cv
Speed (min ⁻¹):	1450 RPM
Voltage:	400 V
Frequency:	50 Hz
Current:	4.7 A
Power factor (Cos Ø):	0.1
Poles:	4
Insulation class:	F
Temperature rise Class:	B
Efficiency 50%:	83.4 %
Efficiency 75%:	84.8 %
Efficiency 100%:	84.3 %
Torque:	14.5 N.m
Tstarting/Tnominal:	2.3
Istarting/Inominal:	7.5
Tmaximum/Tnominal:	2.3
Noise:	70 Db(A)
Weight:	25.0 Kg
Bearing DE:	6206 2Z C3
Bearing NDE:	6206 2Z C3

Regime - S1

Altitude - 1000m

Environment Temperature - 40°C

CONTACTS:

ACDC Drives Ltd
Units 96 C & D, Blackpole Trading Estate, Blackpole Road,
Worcester, WR3 8TJ

Tel: +44(0) 1905 887 667
Mail: sales@acdcdrives.co.uk

* References applied only in the UK