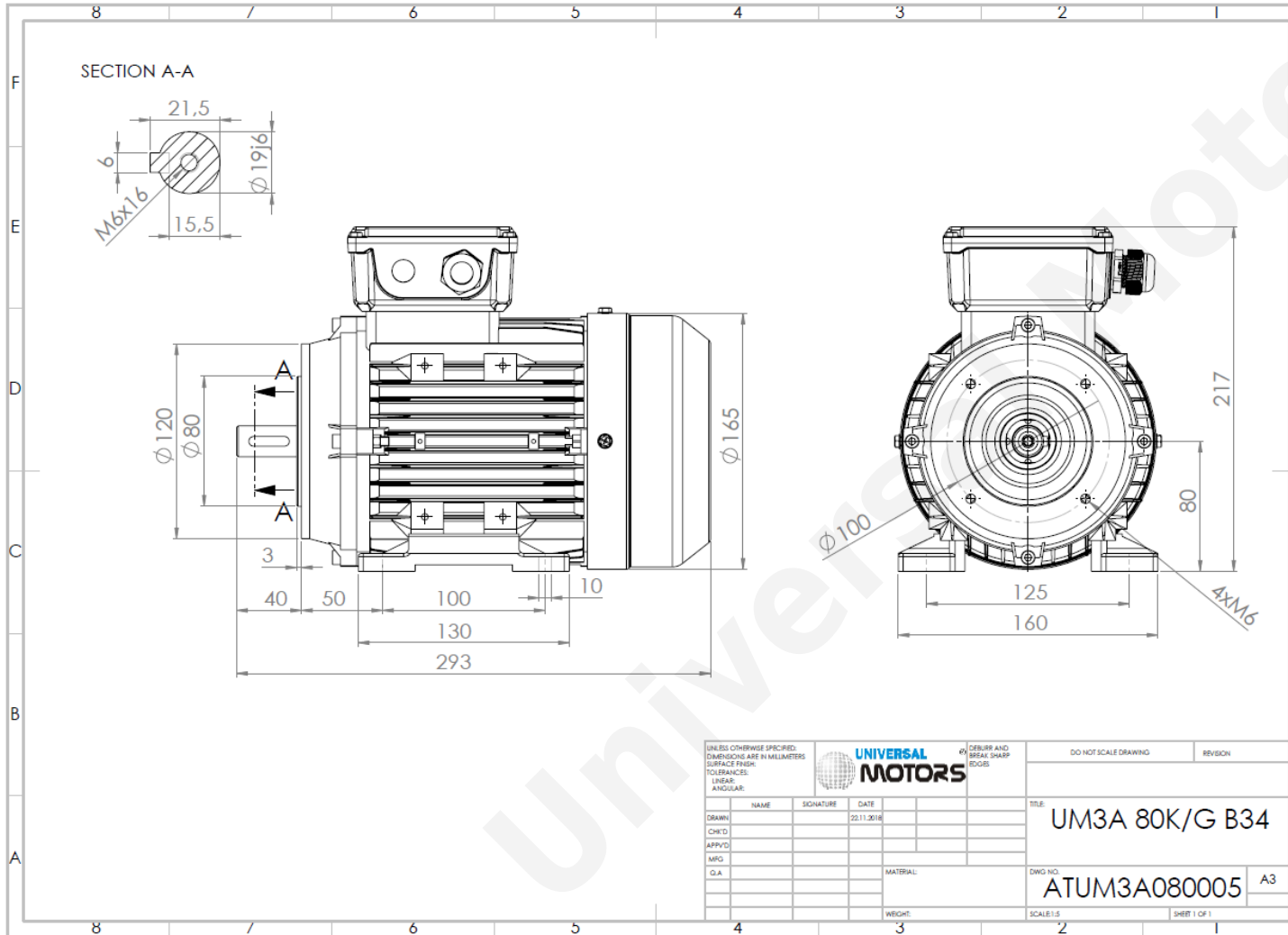


TECHNICAL DATA

Three Phase Electric Motors - Aluminum Frame
UM3A 80G-4
0.75 kW / 1 Cv
1410 RPM



| | |
|-----------------------------|-----------------------|
| Motor type: | UM3A 80G-4 |
| Output: | 0.75 kW / 1 Cv |
| Speed (min ⁻¹): | 1410 RPM |
| Voltage: | 400 V |
| Frequency: | 50 Hz |
| Current: | 1.78 A |
| Power factor (Cos Ø): | 0.75 |
| Poles: | 4 |
| Insulation class: | F |
| Temperature rise Class: | B |
| Efficiency 50%: | 80.4 % |
| Efficiency 75%: | 81.3 % |
| Efficiency 100%: | 82.5 % |
| Torque: | 5.1 N.m |
| Tstarting/Tnominal: | 2.3 |
| Istarting/Inominal: | 6.5 |
| Tmaximum/Tnominal: | 2.3 |
| Noise: | 71 Db(A) |
| Weight: | 12 Kg |
| Bearing DE: | 6204 2Z C3 |
| Bearing NDE: | 6204 2Z C3 |

Regime - S1

Altitude - 1000m

Environment Temperature - 40°C

CONTACTS:

Universal Motors UK, Ltd
Unit E2, Meltham Mills Industrial Estate, Meltham Mills Road, Meltham, Holmfirth
West Yorkshire HD9 4AR, U.K

Tel: +44(0) 1484 660 222

Fax: +44(0) 1484 660 333

Mail: enquiries@universalmotors-group.co.uk

* References applied only in the UK