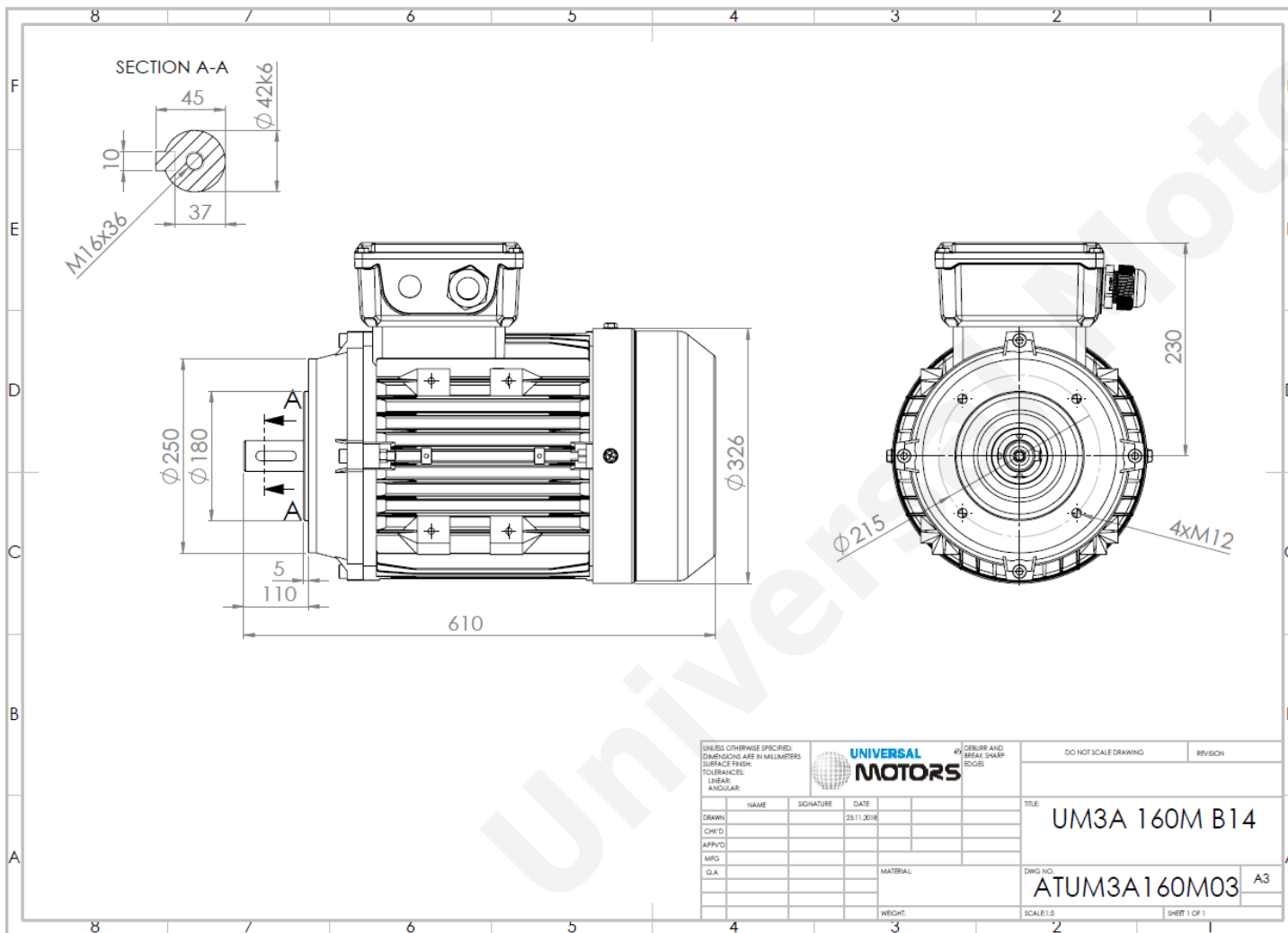


TECHNICAL DATA

Three Phase Electric Motors - Aluminum Frame
UM3A 160M-2 IE3
 11 kW / 15 Cv
 2940 RPM



Motor type:	UM3A 160M-2 IE3
Output:	11 kW / 15 Cv
Speed (min ⁻¹):	2940 RPM
Voltage:	400 V
Frequency:	50 Hz
Current:	19.6 A
Power factor (Cos Ø):	0.89
Poles:	2
Insulation class:	F
Temperature rise Class:	B
Efficiency 50%:	89.4 %
Efficiency 75%:	90.3 %
Efficiency 100%:	91.2 %
Torque:	35.7 N.m
Tstarting/Tnominal:	2.2
Istarting/Inominal:	7.9
Tmaximum/Tnominal:	2.3
Noise:	87 Db(A)
Weight:	90 Kg
Bearing DE:	6309 2Z C3
Bearing NDE:	6309 2Z C3

Regime - S1

Altitude - 1000m

Environment Temperature - 40°C

CONTACTS:

ACDC Drives Ltd
 Units 96 C & D, Blackpole Trading Estate, Blackpole Road,
 Worcester, WR3 8TJ

Tel: +44(0) 1905 887 667
 Mail: sales@acdcdrives.co.uk

* References applied only in the UK