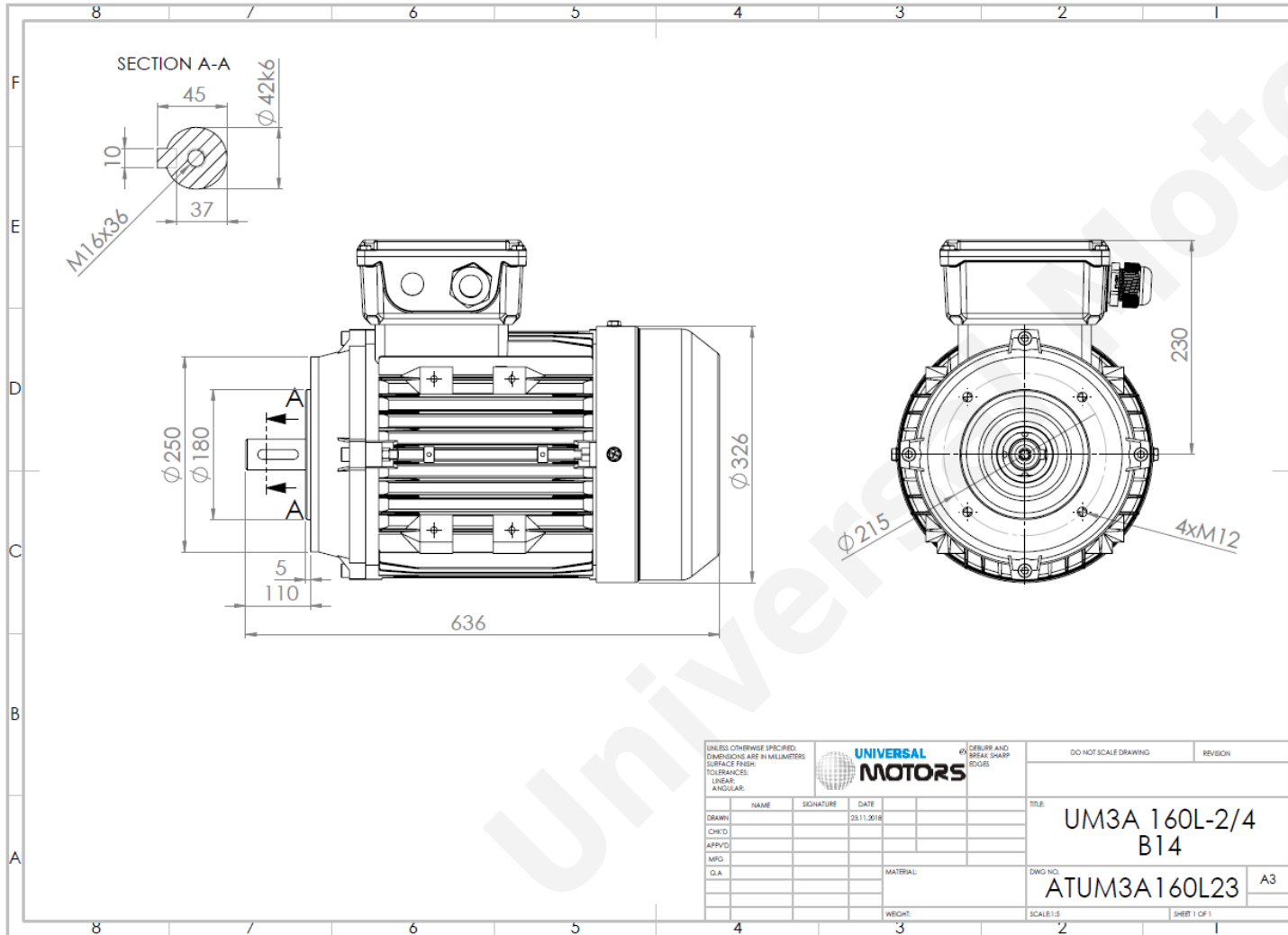


TECHNICAL DATA

Three Phase Electric Motors - Aluminum Frame
 UM3A 160L-2 IE3
 18.5 kW / 25 Cv
 2940 RPM



Motor type: **UM3A 160L-2 IE3**
 Output: **18.5 kW / 25 Cv**
 Speed (min^{-1}): **2940 RPM**
 Voltage: **400 V**
 Frequency: **50 Hz**
 Current: **32.5 A**
 Power factor ($\text{Cos } \phi$): **0.89**
 Poles: **2**
 Insulation class: **F**
 Temperature rise Class: **B**
 Efficiency 50%: **90.6 %**
 Efficiency 75%: **91.5 %**
 Efficiency 100%: **92.4 %**
 Torque: **60.1 N.m**
 Tstarting/Tnominal: **2.2**
 Istarting/Inominal: **8.1**
 Tmaximum/Tnominal: **2.3**
 Noise: **87 Db(A)**
 Weight: **115 Kg**
 Bearing DE: **6309 2Z C3**
 Bearing NDE: **6309 2Z C3**

Regime - S1

Altitude - 1000m

Environment Temperature - 40°C

CONTACTS:

Universal Motors UK, Ltd
 Unit E2, Meltham Mills Industrial Estate, Meltham Mills Road, Meltham, Holmfirth
 West Yorkshire HD9 4AR, U.K

Tel: +44(0) 1484 660 222

Fax: +44(0) 1484 660 333

Mail: enquiries@universalmotors-group.co.uk

* References applied only in the UK