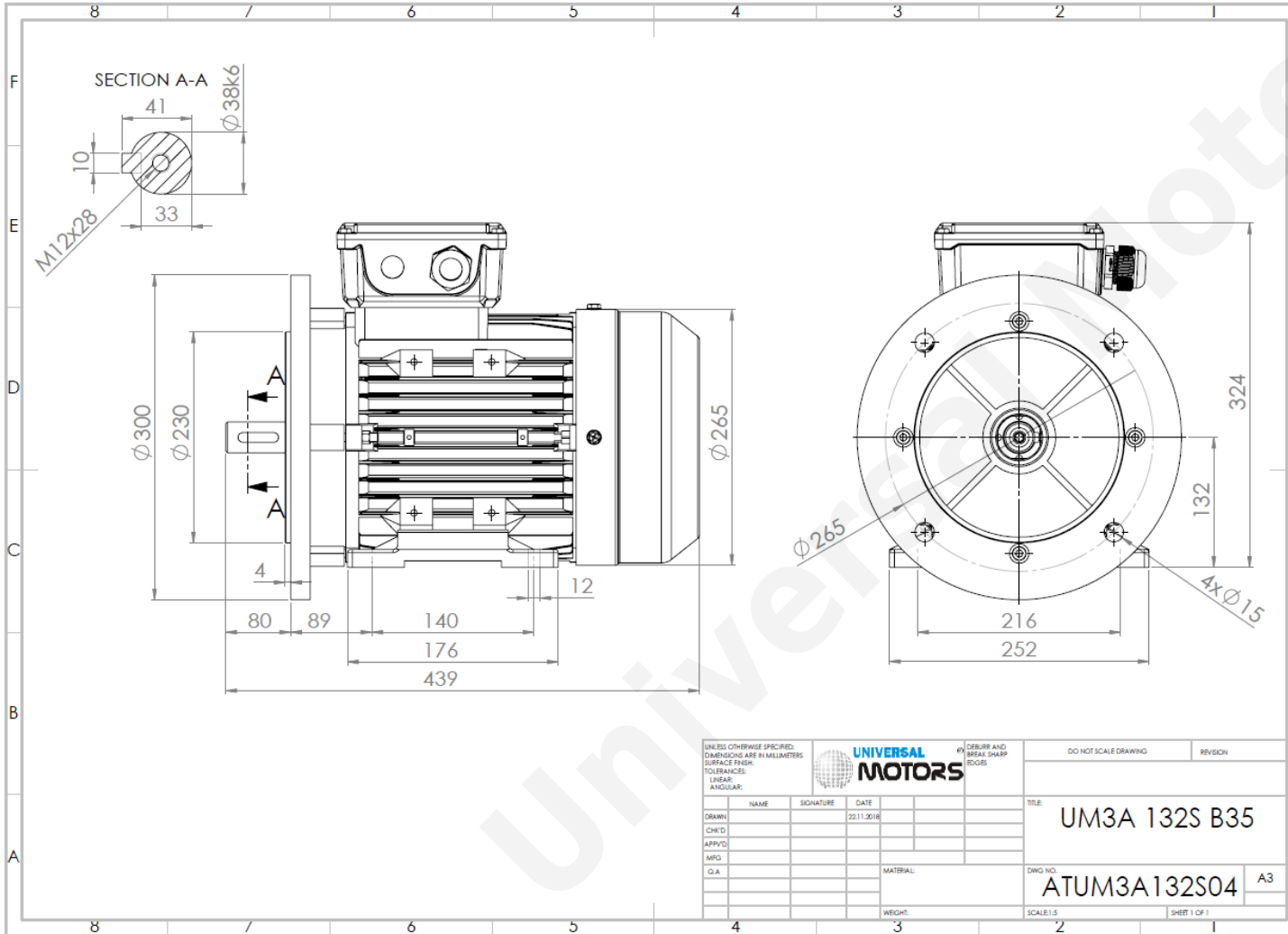


TECHNICAL DATA

Three Phase Electric Motors - Aluminum Frame
 UM3A 132S-2 IE3
 5.5 kW / 7.5 Cv
 2920 RPM



Motor type:	UM3A 132S-2 IE3
Output:	5.5 kW / 7.5 Cv
Speed (min ⁻¹):	2920 RPM
Voltage:	400 V
Frequency:	50 Hz
Current:	10.1 A
Power factor (Cos Ø):	0.88
Poles:	2
Insulation class:	F
Temperature rise Class:	B
Efficiency 50%:	87.4 %
Efficiency 75%:	88.3 %
Efficiency 100%:	89.2 %
Torque:	18.0 N.m
Tstarting/Tnominal:	2.2
Istarting/Inominal:	8.0
Tmaximum/Tnominal:	2.3
Noise:	85 Db(A)
Weight:	45 Kg
Bearing DE:	6308 2Z C3
Bearing NDE:	6308 2Z C3

UNLESS OTHERWISE SPECIFIED: DIMENSIONS ARE IN MILLIMETERS SURFACE FINISH: TOLERANCES: LINEAR: ANGULAR:				UNIVERSAL MOTORS		DEBURR AND BREAK SHARP EDGES		DO NOT SCALE DRAWING		REVISION	
DRAWN	NAME	SIGNATURE	DATE			TITLE:		UM3A 132S B35			
CHK'D			22.11.2018			DWG NO.:		ATUM3A132S04		A3	
APPV'D						MATERIAL:				SCALE: 1:1	
MFG						WEIGHT:				SHEET 1 OF 1	
Q.A.											

Regime - S1

Altitude - 1000m

Environment Temperature - 40°C

CONTACTS:

Universal Motors UK, Ltd
 Unit E2, Meltham Mills Industrial Estate, Meltham Mills Road, Meltham, Holmfirth
 West Yorkshire HD9 4AR, U.K.

Tel: +44(0) 1484 660 222
 Fax: +44(0) 1484 660 333
 Mail: enquiries@universalmotors-group.co.uk

* References applied only in the UK