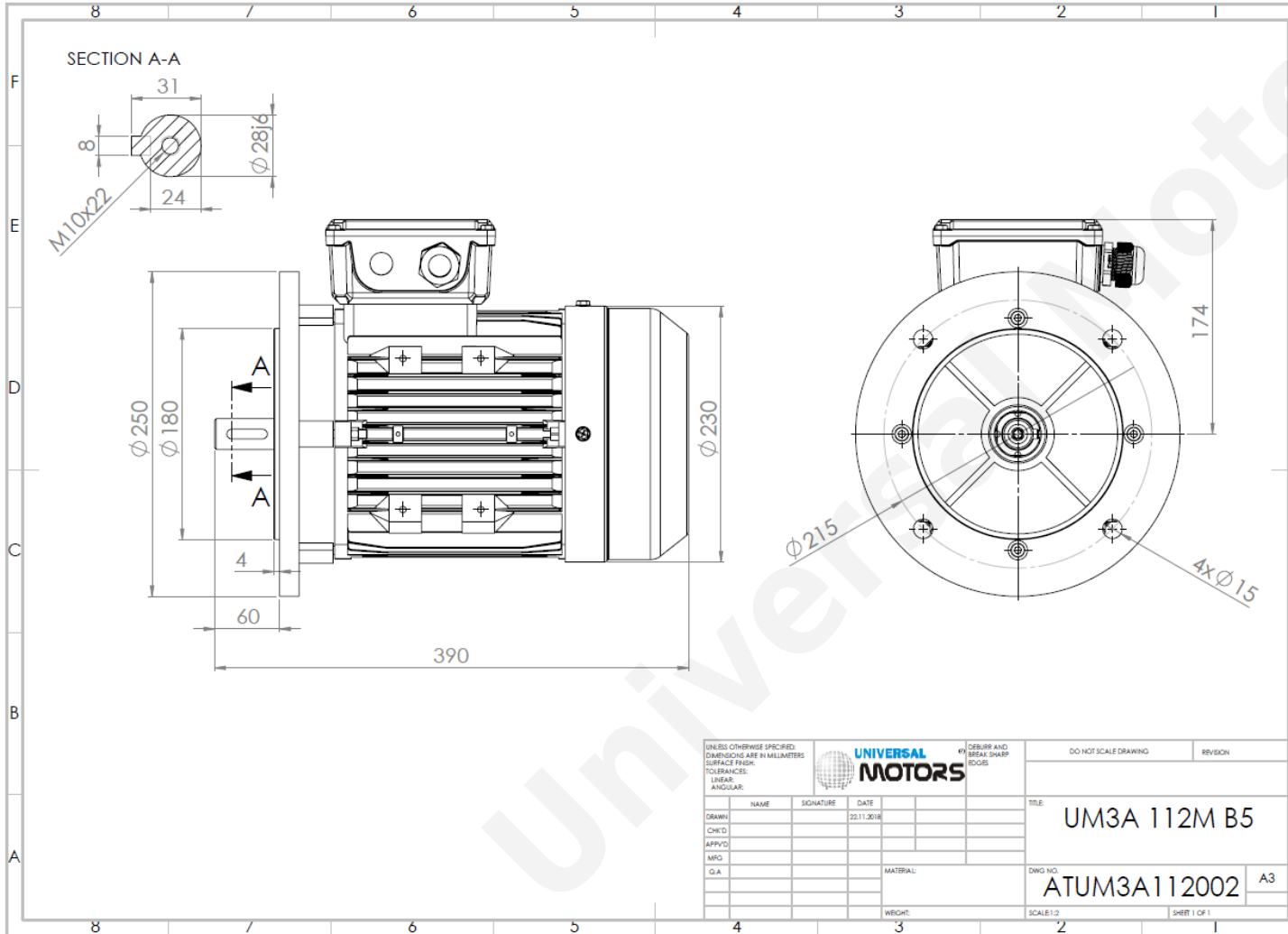


TECHNICAL DATA

Three Phase Electric Motors - Aluminum Frame
 UM3A 112M-2 IE3
 4 kW / 5.5 Cv
 2895 RPM



Motor type:	UM3A 112M-2 IE3
Output:	4 kW / 5.5 Cv
Speed (min^{-1}):	2895 RPM
Voltage:	400 V
Frequency:	50 Hz
Current:	7.4 A
Power factor ($\text{Cos } \phi$):	0.88
Poles:	2
Insulation class:	F
Temperature rise Class:	B
Efficiency 50%:	86.3 %
Efficiency 75%:	87.2 %
Efficiency 100%:	88.1 %
Torque:	13.2 N.m
Tstarting/Tnominal:	2.3
Istarting/Inominal:	8.3
Tmaximum/Tnominal:	2.3
Noise:	83 Db(A)
Weight:	34 Kg
Bearing DE:	6306 2Z C3
Bearing NDE:	6306 2Z C3

Regime - S1

Altitude - 1000m

Environment Temperature - 40°C

CONTACTS:

Universal Motors UK, Ltd
 Unit E2, Meltham Mills Industrial Estate, Meltham Mills Road, Meltham, Holmfirth
 West Yorkshire HD9 4AR, U.K

Tel: +44(0) 1484 660 222

Fax: +44(0) 1484 660 333

Mail: enquiries@universalmotors-group.co.uk

* References applied only in the UK