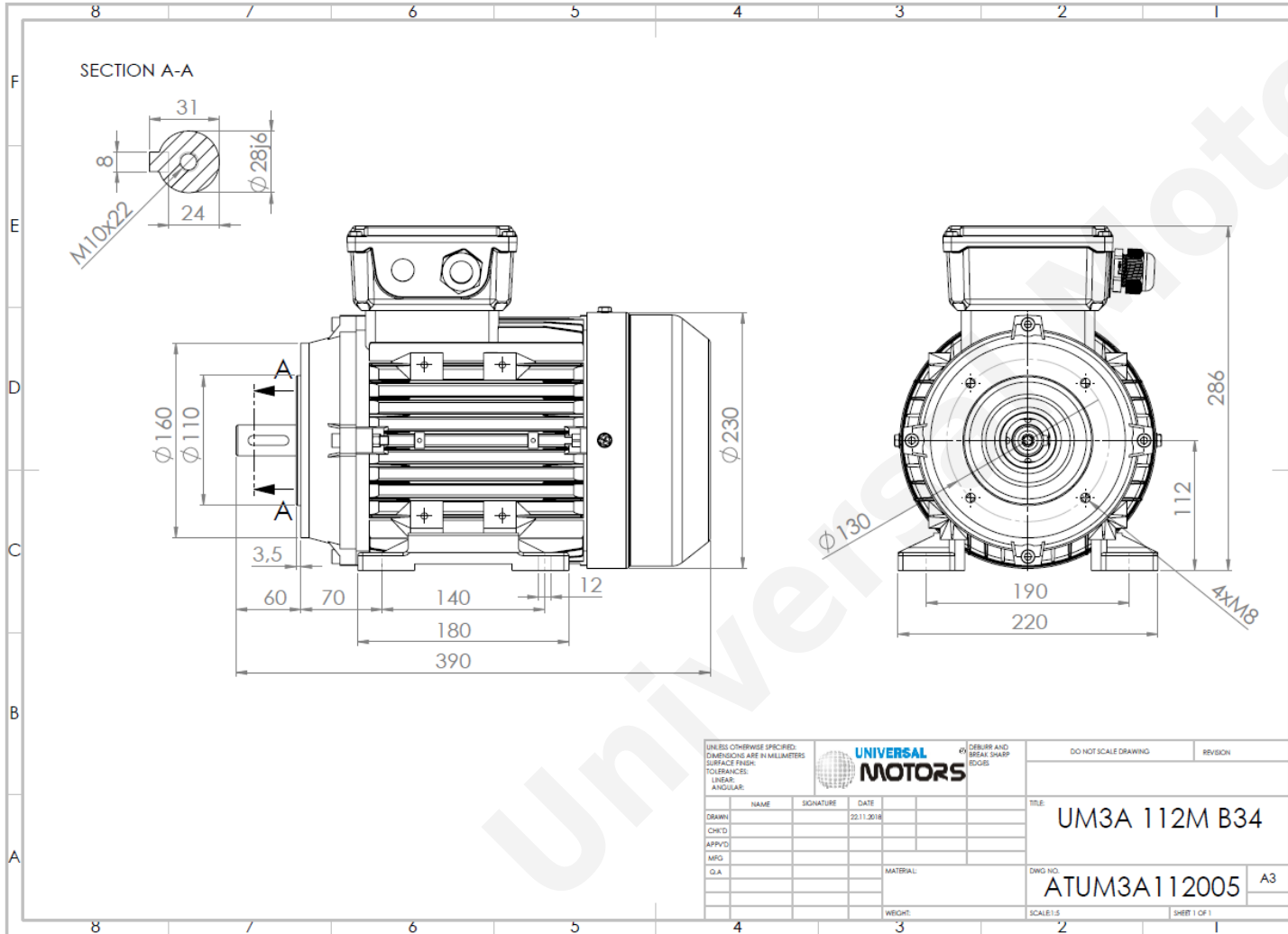


TECHNICAL DATA

Three Phase Electric Motors - Aluminum Frame
 UM3A 112M-2 IE3
 4 kW / 5.5 Cv
 2895 RPM



Motor type: **UM3A 112M-2 IE3**
 Output: **4 kW / 5.5 Cv**
 Speed (min⁻¹): **2895 RPM**
 Voltage: **400 V**
 Frequency: **50 Hz**
 Current: **7.4 A**
 Power factor (Cos Ø): **0.88**
 Poles: **2**
 Insulation class: **F**
 Temperature rise Class: **B**
 Efficiency 50%: **86.3 %**
 Efficiency 75%: **87.2 %**
 Efficiency 100%: **88.1 %**
 Torque: **13.2 N.m**
 Tstarting/Tnominal: **2.3**
 Istarting/Inominal: **8.3**
 Tmaximum/Tnominal: **2.3**
 Noise: **83 Db(A)**
 Weight: **34 Kg**
 Bearing DE: **6306 2Z C3**
 Bearing NDE: **6306 2Z C3**

Regime - S1

Altitude - 1000m

Environment Temperature - 40°C

CONTACTS:

Universal Motors UK, Ltd
 Unit E2, Meltham Mills Industrial Estate, Meltham Mills Road, Meltham, Holmfirth
 West Yorkshire HD9 4AR, U.K

Tel: +44(0) 1484 660 222
 Fax: +44(0) 1484 660 333
 Mail: enquiries@universalmotors-group.co.uk

* References applied only in the UK