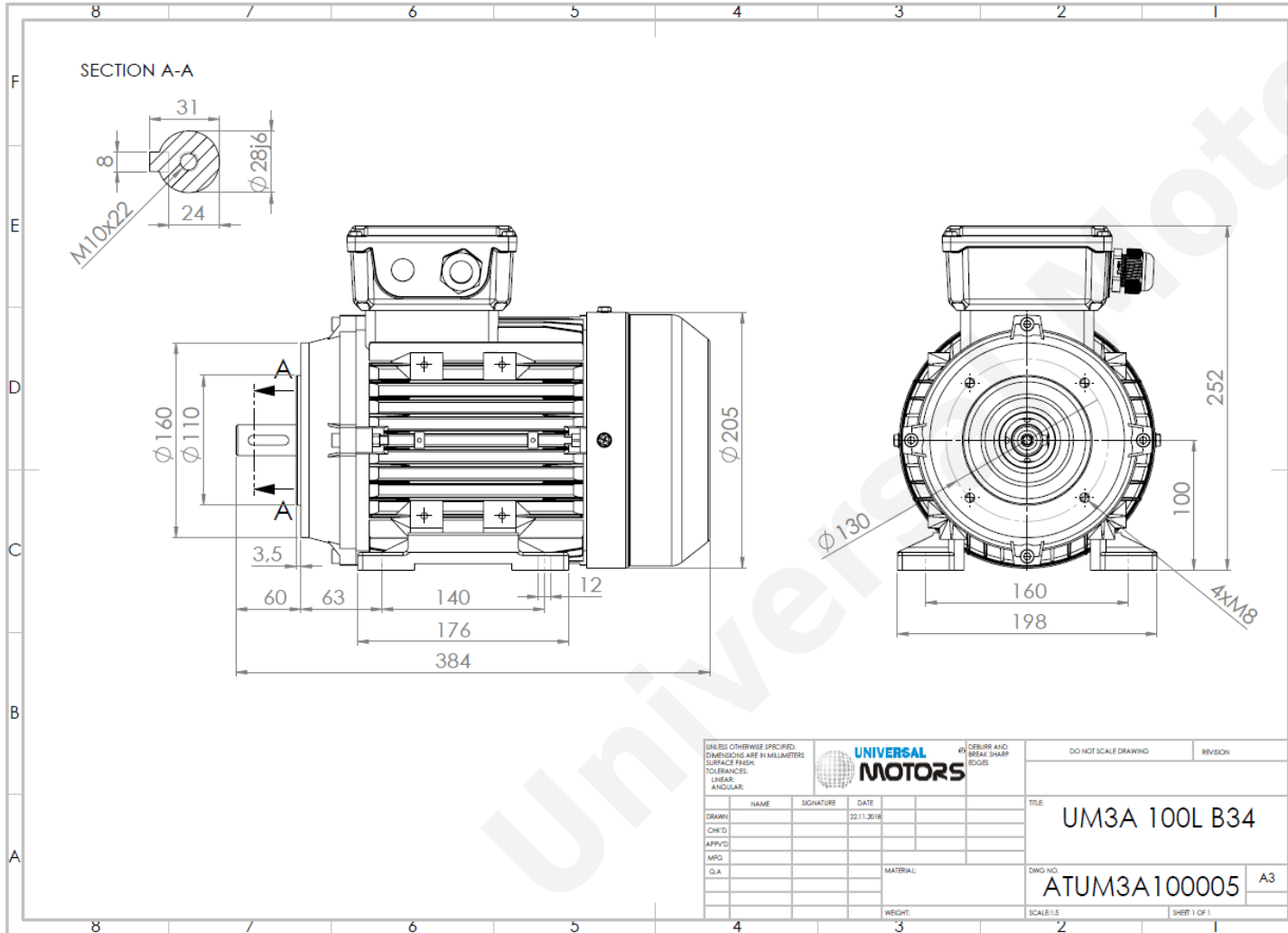


TECHNICAL DATA

Three Phase Electric Motors - Aluminum Frame
 UM3A 100L-2 IE3
 3 kW / 4 Cv
 2880 RPM



Motor type:	UM3A 100L-2 IE3
Output:	3 kW / 4 Cv
Speed (min ⁻¹):	2880 RPM
Voltage:	400 V
Frequency:	50 Hz
Current:	5.7 A
Power factor (Cos Ø):	0.87
Poles:	2
Insulation class:	F
Temperature rise Class:	B
Efficiency 50%:	84.9 %
Efficiency 75%:	85.8 %
Efficiency 100%:	87.1 %
Torque:	9.95 N.m
Tstarting/Tnominal:	2.3
Istarting/Inominal:	8.1
Tmaximum/Tnominal:	2.3
Noise:	82 Db(A)
Weight:	26 Kg
Bearing DE:	6206 2Z C3
Bearing NDE:	6206 2Z C3

Regime - S1

Altitude - 1000m

Environment Temperature - 40°C

CONTACTS:

Universal Motors UK, Ltd
 Unit E2, Meltham Mills Industrial Estate, Meltham Mills Road, Meltham, Holmfirth
 West Yorkshire HD9 4AR, U.K

Tel: +44(0) 1484 660 222
 Fax: +44(0) 1484 660 333

Mail: enquiries@universalmotors-group.co.uk

* References applied only in the UK