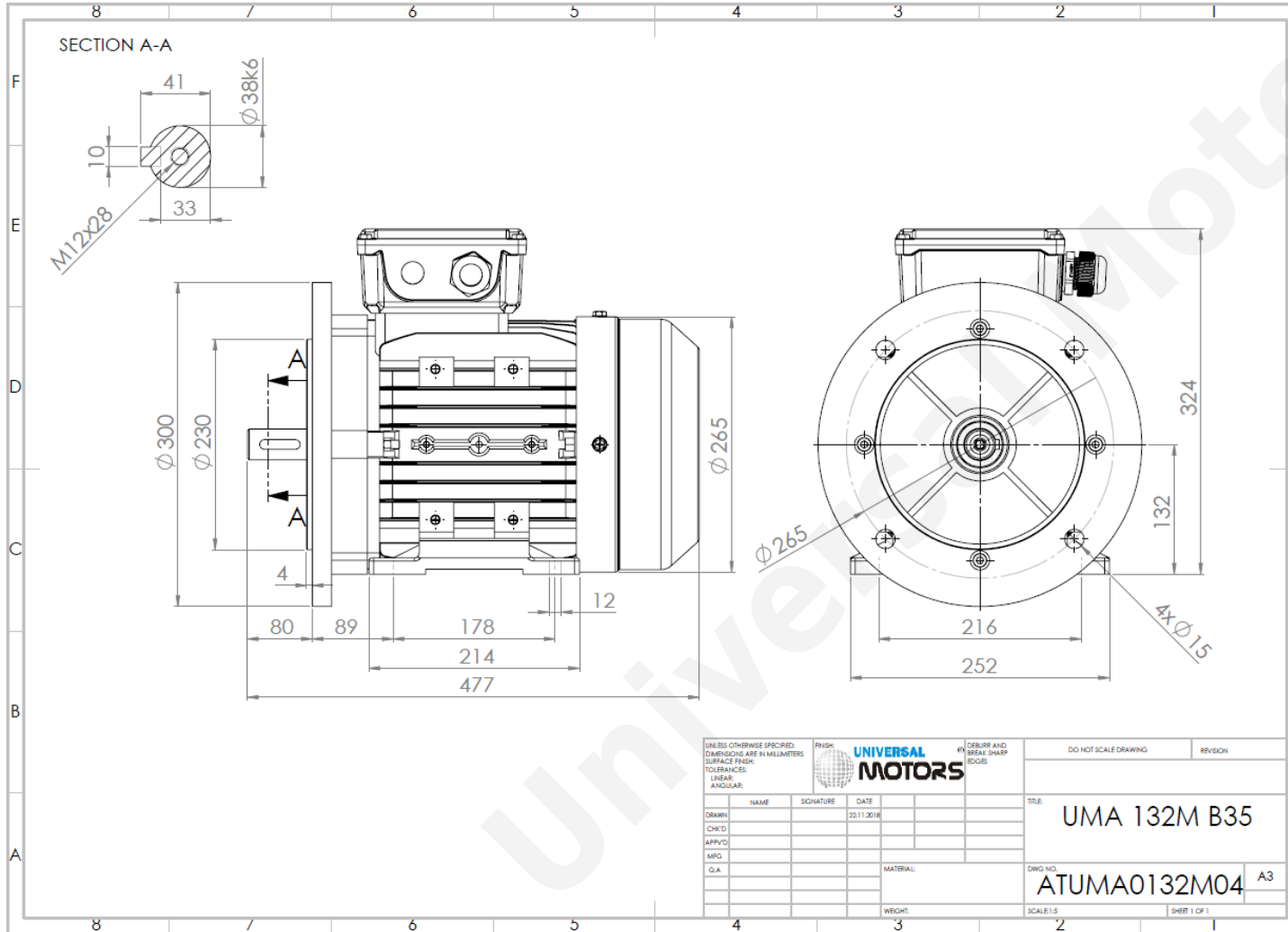


# TECHNICAL DATA

Three Phase Electric Motors - Aluminum Frame  
UMA 132M-8  
3 kW / 4 Cv  
710 RPM



Motor type:	<b>UMA 132M-8</b>
Output:	<b>3 kW / 4 Cv</b>
Speed (min <sup>-1</sup> ):	<b>710 RPM</b>
Voltage:	<b>400 V</b>
Frequency:	<b>50 Hz</b>
Current:	<b>7.36 A</b>
Power factor (Cos $\phi$ ):	<b>0.72</b>
Poles:	<b>8</b>
Insulation class:	<b>F</b>
Temperature rise Class:	<b>B</b>
Efficiency 100%:	<b>82.0 %</b>
Torque:	<b>40.4 N.m</b>
Tstarting/Tnominal:	<b>2.0</b>
Istarting/Inominal:	<b>5.5</b>
Tmaximum/Tnominal:	<b>2.0</b>
Noise:	<b>64 Db(A)</b>
Weight:	<b>45.0 Kg</b>
Bearing DE:	<b>6308 2Z C3</b>
Bearing NDE:	<b>6308 2Z C3</b>

Regime - S1

Altitude - 1000m

Environment Temperature - 40°C

**CONTACTS:**

ACDC Drives Ltd  
Units 96 C & D, Blackpole Trading Estate, Blackpole Road,  
Worcester, WR3 8TJ

Tel: +44(0) 1905 887 667  
Mail: [sales@acdcdrives.co.uk](mailto:sales@acdcdrives.co.uk)

\* References applied only in the UK