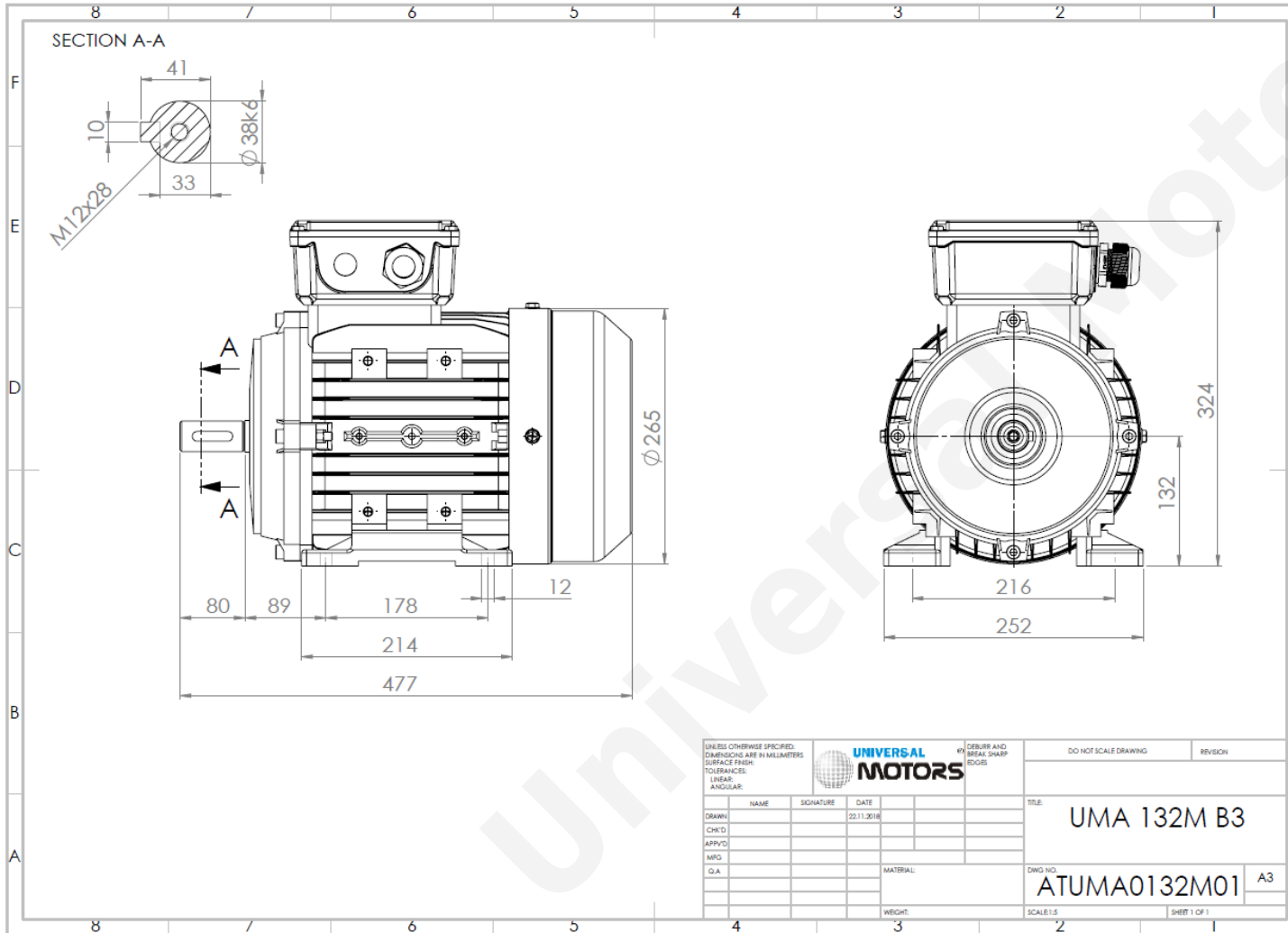


TECHNICAL DATA

Three Phase Electric Motors - Aluminum Frame
UMA 132M-8
3 kW / 4 Cv
710 RPM



Motor type:	UMA 132M-8
Output:	3 kW / 4 Cv
Speed (min ⁻¹):	710 RPM
Voltage:	400 V
Frequency:	50 Hz
Current:	7.36 A
Power factor (Cos Ø):	0.72
Poles:	8
Insulation class:	F
Temperature rise Class:	B
Efficiency 100%:	82.0 %
Torque:	40.4 N.m
Tstarting/Tnominal:	2.0
Istarting/Inominal:	5.5
Tmaximum/Tnominal:	2.0
Noise:	64 Db(A)
Weight:	45.0 Kg
Bearing DE:	6308 2Z C3
Bearing NDE:	6308 2Z C3

Regime - S1

Altitude - 1000m

Environment Temperature - 40°C

CONTACTS:

ACDC Drives Ltd
Units 96 C & D, Blackpole Trading Estate, Blackpole Road,
Worcester, WR3 8TJ

Tel: +44(0) 1905 887 667
Mail: sales@acdcdrives.co.uk

* References applied only in the UK