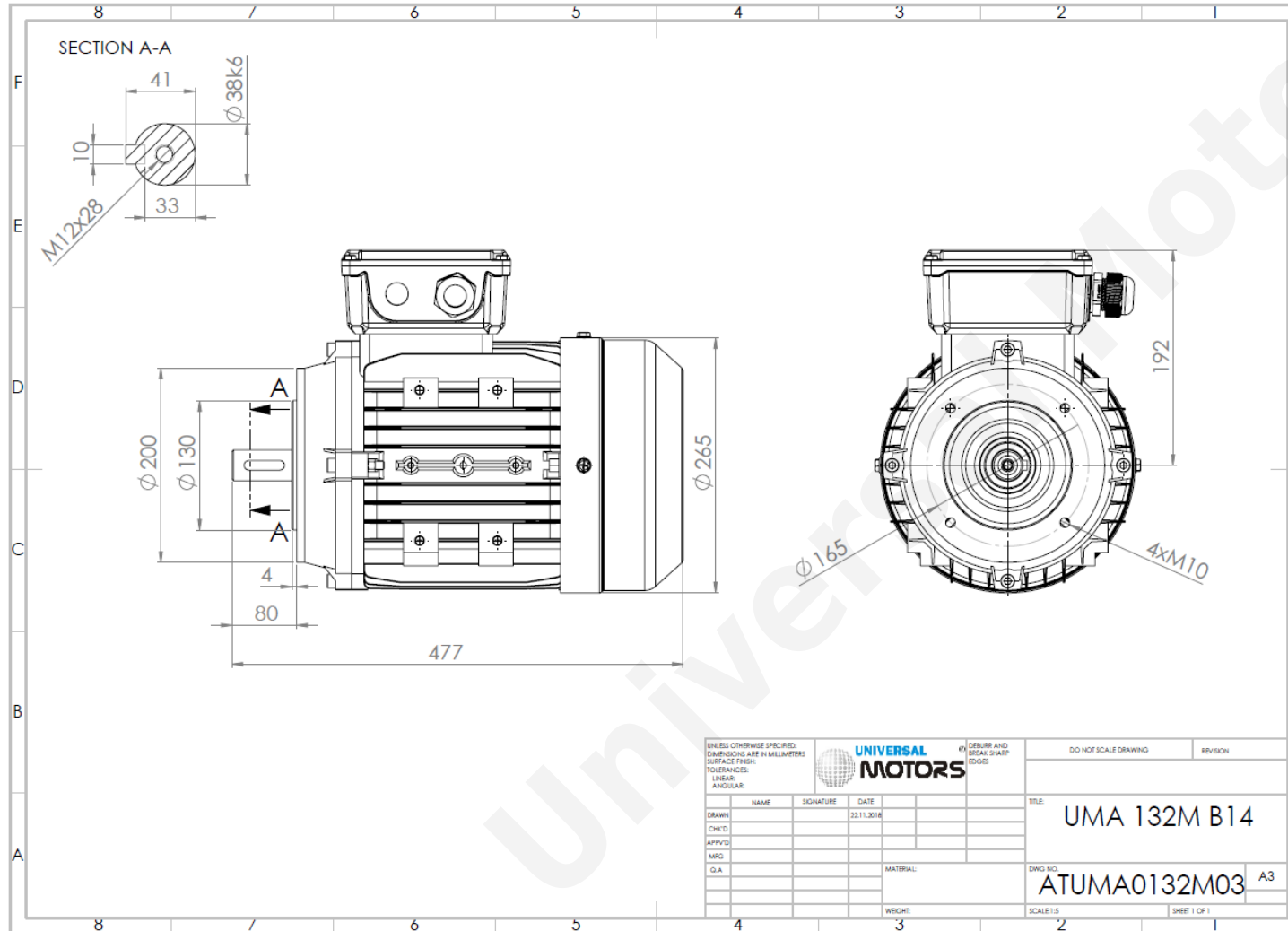


# TECHNICAL DATA

Three Phase Electric Motors - Aluminum Frame  
UMA 132M-8  
3 kW / 4 Cv  
710 RPM



|                             |                    |
|-----------------------------|--------------------|
| Motor type:                 | <b>UMA 132M-8</b>  |
| Output:                     | <b>3 kW / 4 Cv</b> |
| Speed (min <sup>-1</sup> ): | <b>710 RPM</b>     |
| Voltage:                    | <b>400 V</b>       |
| Frequency:                  | <b>50 Hz</b>       |
| Current:                    | <b>7.36 A</b>      |
| Power factor (Cos Ø):       | <b>0.72</b>        |
| Poles:                      | <b>8</b>           |
| Insulation class:           | <b>F</b>           |
| Temperature rise Class:     | <b>B</b>           |
| Efficiency 100%:            | <b>82.0 %</b>      |
| Torque:                     | <b>40.4 N.m</b>    |
| Tstarting/Tnominal:         | <b>2.0</b>         |
| Istarting/Inominal:         | <b>5.5</b>         |
| Tmaximum/Tnominal:          | <b>2.0</b>         |
| Noise:                      | <b>64 Db(A)</b>    |
| Weight:                     | <b>45.0 Kg</b>     |
| Bearing DE:                 | <b>6308 2Z C3</b>  |
| Bearing NDE:                | <b>6308 2Z C3</b>  |

Regime - S1

Altitude - 1000m

Environment Temperature - 40°C

**CONTACTS:**

ACDC Drives Ltd  
Units 96 C & D, Blackpole Trading Estate, Blackpole Road,  
Worcester, WR3 8TJ

Tel: +44(0) 1905 887 667  
Mail: [sales@acdcd rives.co.uk](mailto:sales@acdcd rives.co.uk)

\* References applied only in the UK