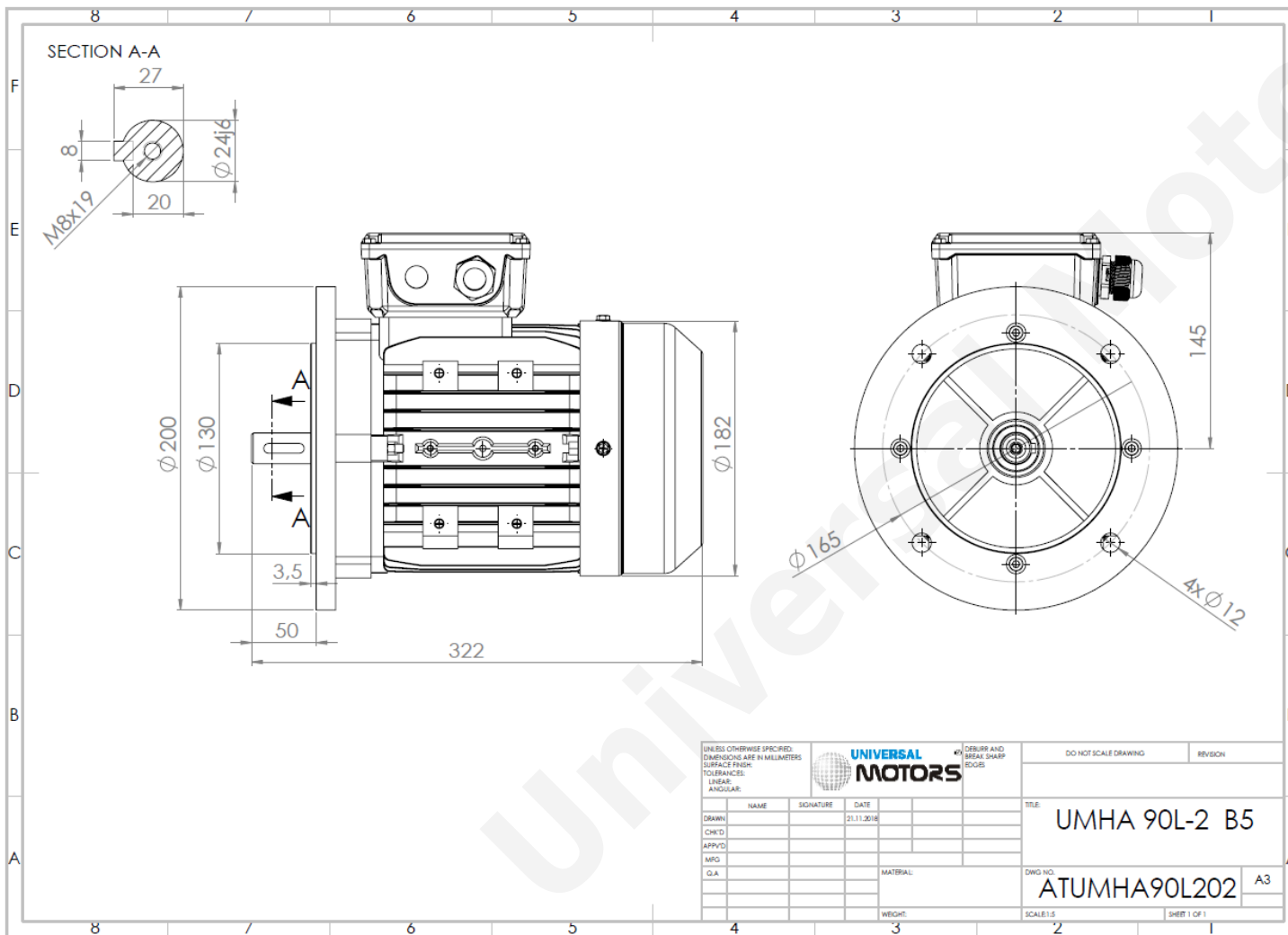


TECHNICAL DATA

Three Phase Electric Motors - Aluminum Frame
UMHA 90L-2 IE2
2.2 kW / 3 Cv
2845 RPM



| | |
|-----------------------------|-----------------------|
| Motor type: | UMHA 90L-2 IE2 |
| Output: | 2.2 kW / 3 Cv |
| Speed (min ⁻¹): | 2845 RPM |
| Voltage: | 400 V |
| Frequency: | 50 Hz |
| Current: | 4.5 A |
| Power factor (Cos ϕ): | 0.85 |
| Poles: | 2 |
| Insulation class: | F |
| Temperature rise Class: | B |
| Efficiency 50%: | 83.2 % |
| Efficiency 75%: | 83.7 % |
| Efficiency 100%: | 83.2 % |
| Torque: | 7.38 N.m |
| Tstarting/Tnominal: | 2.3 |
| Istarting/Inominal: | 7.8 |
| Tmaximum/Tnominal: | 2.3 |
| Noise: | 78 Db(A) |
| Weight: | 16.0 Kg |
| Bearing DE: | 6205 2Z C3 |
| Bearing NDE: | 6204 2Z C3 |

Regime - S1

Altitude - 1000m

Environment Temperature - 40°C

CONTACTS:

ACDC Drives Ltd
Units 96 C & D, Blackpole Trading Estate, Blackpole Road,
Worcester, WR3 8TJ

Tel: +44(0) 1905 887 667
Mail: sales@acdcdrives.co.uk

* References applied only in the UK