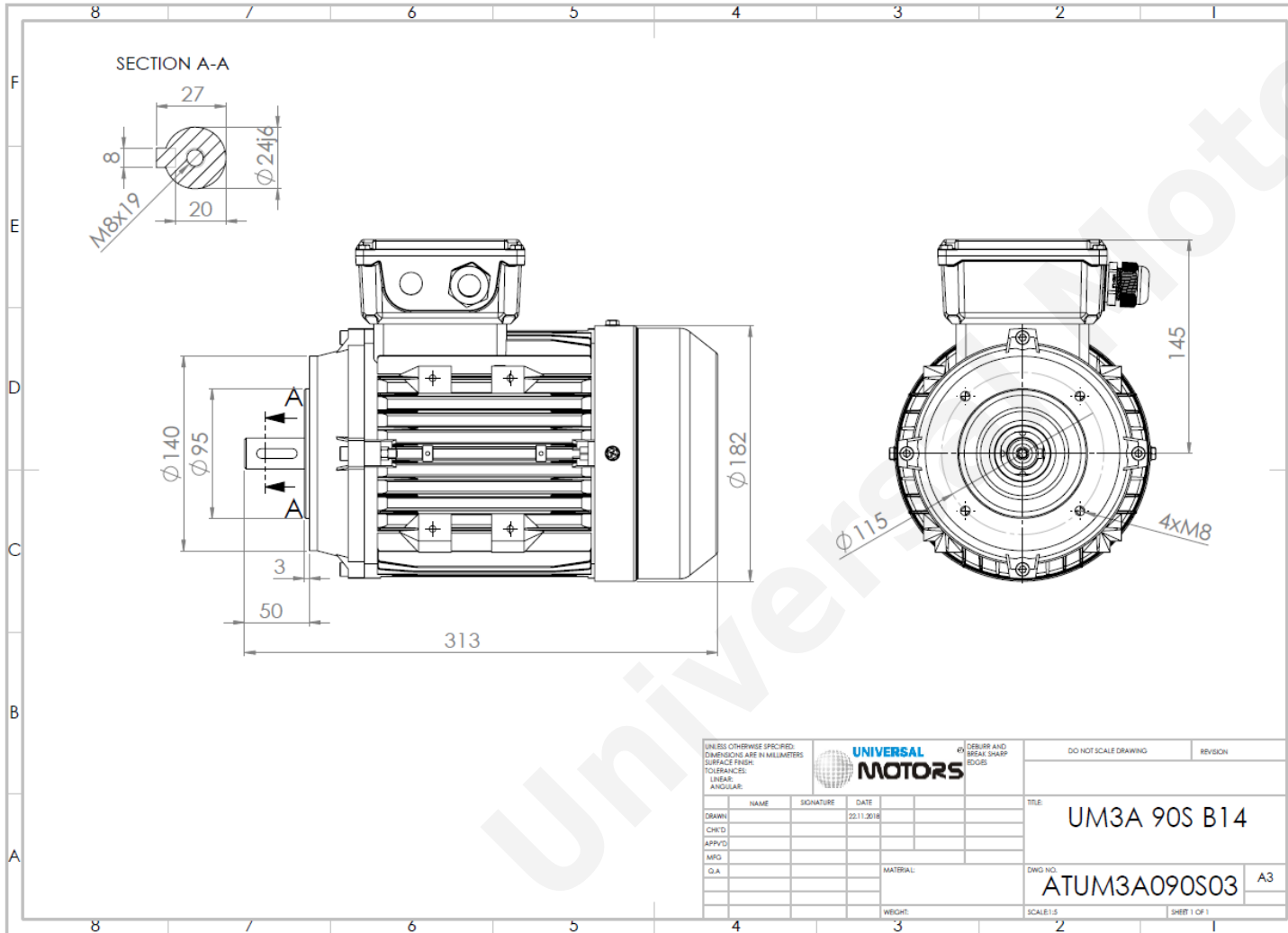


TECHNICAL DATA

Three Phase Electric Motors - Aluminum Frame
 UM3A 90S-2 IE3
 1.5 kW / 2 Cv
 2855 RPM



Motor type:	UM3A 90S-2 IE3
Output:	1.5 kW / 2 Cv
Speed (min ⁻¹):	2855 RPM
Voltage:	400 V
Frequency:	50 Hz
Current:	3.1 A
Power factor (Cos ϕ):	0.84
Poles:	2
Insulation class:	F
Temperature rise Class:	B
Efficiency 50%:	82.1 %
Efficiency 75%:	82.9 %
Efficiency 100%:	84.2 %
Torque:	5.02 N.m
Tstarting/Tnominal:	2.3
Istarting/Inominal:	7.6
Tmaximum/Tnominal:	2.3
Noise:	78 Db(A)
Weight:	14 Kg
Bearing DE:	6205 2Z C3
Bearing NDE:	6204 2Z C3

Regime - S1

Altitude - 1000m

Environment Temperature - 40°C

CONTACTS:

Universal Motors UK, Ltd
 Unit E2, Meltham Mills Industrial Estate, Meltham Mills Road, Meltham, Holmfirth
 West Yorkshire HD9 4AR, U.K

Tel: +44(0) 1484 660 222
 Fax: +44(0) 1484 660 333

Mail: enquiries@universalmotors-group.co.uk

* References applied only in the UK