

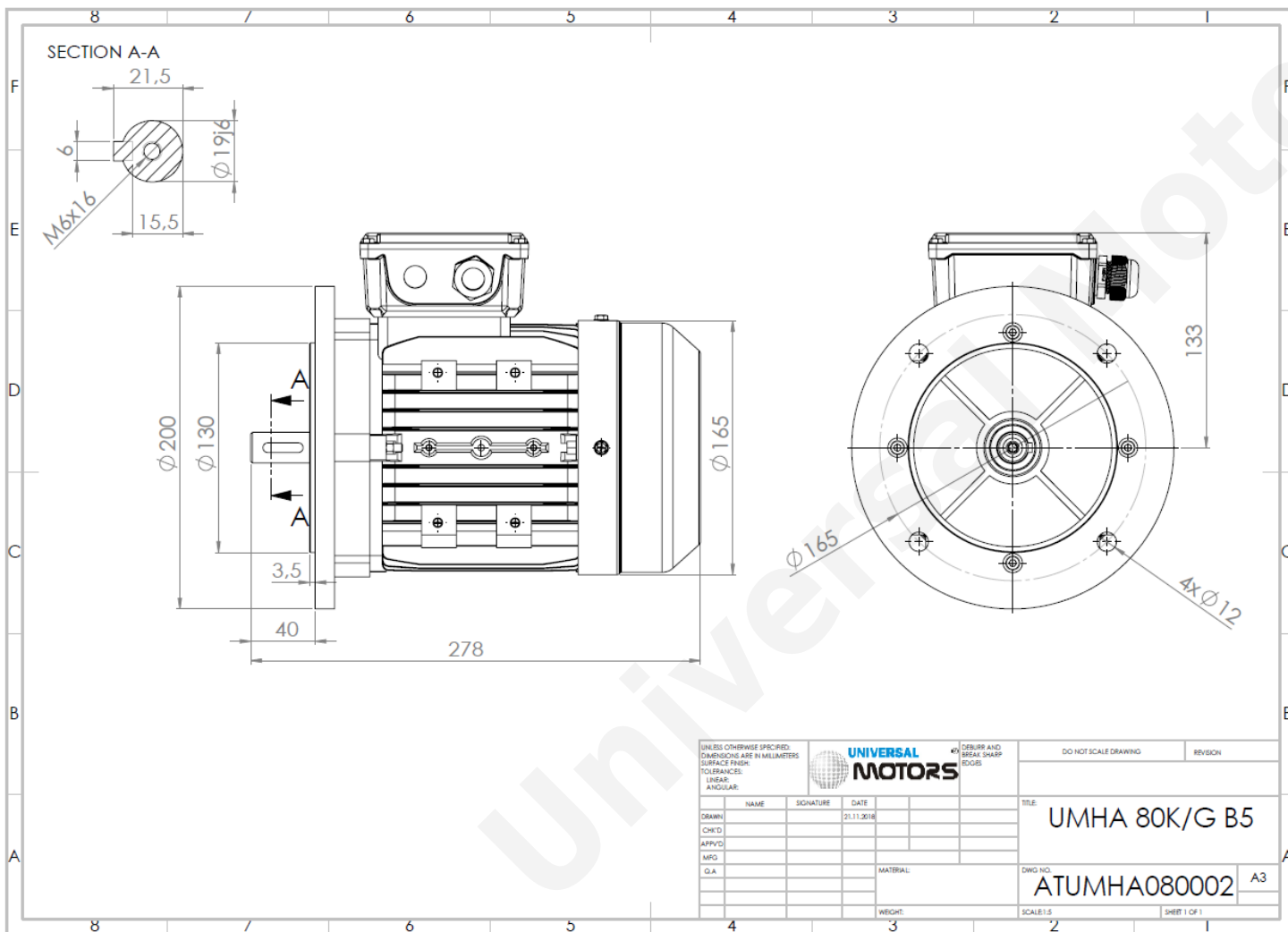
# TECHNICAL DATA

Three Phase Electric Motors - Aluminum Frame

UMHA 80G-2 IE2

1.1 kW / 1.5 Cv

2840 RPM



Motor type:	<b>UMHA 80G-2 IE2</b>
Output:	<b>1.1 kW / 1.5 Cv</b>
Speed (min <sup>-1</sup> ):	<b>2840 RPM</b>
Voltage:	<b>400 V</b>
Frequency:	<b>50 Hz</b>
Current:	<b>2.4 A</b>
Power factor (Cos Ø):	<b>0.83</b>
Poles:	<b>2</b>
Insulation class:	<b>F</b>
Temperature rise Class:	<b>B</b>
Efficiency 50%:	<b>79.0 %</b>
Efficiency 75%:	<b>80.1 %</b>
Efficiency 100%:	<b>79.6 %</b>
Torque:	<b>3.70 N.m</b>
Tstarting/Tnominal:	<b>2.3</b>
Istarting/Inominal:	<b>7.3</b>
Tmaximum/Tnominal:	<b>2.3</b>
Noise:	<b>74 Db(A)</b>
Weight:	<b>11.0 Kg</b>
Bearing DE:	<b>6204 2Z C3</b>
Bearing NDE:	<b>6204 2Z C3</b>

Regime - S1

Altitude - 1000m

Environment Temperature - 40°C

## CONTACTS:

ACDC Drives Ltd  
Units 96 C & D, Blackpole Trading Estate, Blackpole Road,  
Worcester, WR3 8TJ

Tel: +44(0) 1905 887 667  
Mail: [sales@acdcdrives.co.uk](mailto:sales@acdcdrives.co.uk)

\* References applied only in the UK