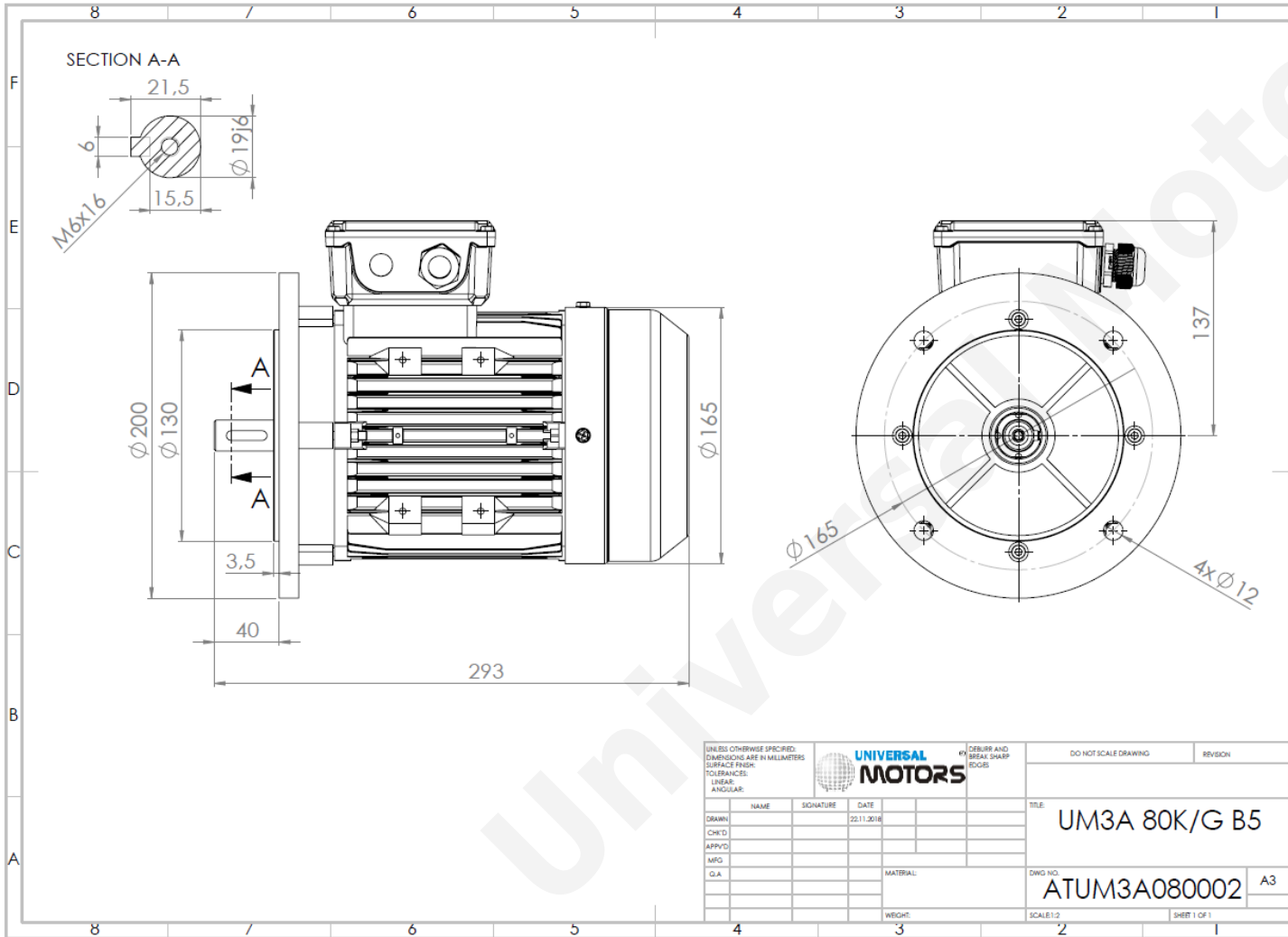


# TECHNICAL DATA

Three Phase Electric Motors - Aluminum Frame  
 UM3A 80K-2 IE3  
 0.75 kW / 1 Cv  
 2805 RPM



|                             |                       |
|-----------------------------|-----------------------|
| Motor type:                 | <b>UM3A 80K-2 IE3</b> |
| Output:                     | <b>0.75 kW / 1 Cv</b> |
| Speed (min <sup>-1</sup> ): | <b>2805 RPM</b>       |
| Voltage:                    | <b>400 V</b>          |
| Frequency:                  | <b>50 Hz</b>          |
| Current:                    | <b>1.6 A</b>          |
| Power factor (Cos $\phi$ ): | <b>0.83</b>           |
| Poles:                      | <b>2</b>              |
| Insulation class:           | <b>F</b>              |
| Temperature rise Class:     | <b>B</b>              |
| Efficiency 50%:             | <b>78.7 %</b>         |
| Efficiency 75%:             | <b>79.5 %</b>         |
| Efficiency 100%:            | <b>80.7 %</b>         |
| Torque:                     | <b>2.55 N.m</b>       |
| Tstarting/Tnominal:         | <b>2.3</b>            |
| Istarting/Inominal:         | <b>6.8</b>            |
| Tmaximum/Tnominal:          | <b>2.3</b>            |
| Noise:                      | <b>74 Db(A)</b>       |
| Weight:                     | <b>10 Kg</b>          |
| Bearing DE:                 | <b>6204 2Z C3</b>     |
| Bearing NDE:                | <b>6204 2Z C3</b>     |

Regime - S1

Altitude - 1000m

Environment Temperature - 40°C

## CONTACTS:

Universal Motors UK, Ltd  
 Unit E2, Meltham Mills Industrial Estate, Meltham Mills Road, Meltham, Holmfirth  
 West Yorkshire HD9 4AR, U.K

Tel: +44(0) 1484 660 222

Fax: +44(0) 1484 660 333

Mail: [enquiries@universalmotors-group.co.uk](mailto:enquiries@universalmotors-group.co.uk)

\* References applied only in the UK